

Dell™ Systems

# Rack Installation Guide

Guide d'installation du rack

Rack-Installationsanleitung

ラック取り付けガイド

Guía de montaje del rack



010110101011010100110101010100011101001  
010100111010101010101011100101001  
010110101011010100110101101000111001



[www.dell.com](http://www.dell.com) | [support.dell.com](http://support.dell.com)





Dell™ Systems

# Rack Installation Guide



# Notes, Notices, and Cautions

 **NOTE:** A NOTE indicates important information that helps you make better use of your computer.

 **NOTICE:** A NOTICE indicates either potential damage to hardware or loss of data and tells you how to avoid the problem.

 **CAUTION: A CAUTION indicates a potential for property damage, personal injury, or death.**

---

**Information in this document is subject to change without notice.**

**© 2002 Dell Computer Corporation. All rights reserved.**

Reproduction in any manner whatsoever without the written permission of Dell Computer Corporation is strictly forbidden.

Trademarks used in this text: *Dell*, the *DELL* logo, *RapidRails*, and *VersaRails* are trademarks of Dell Computer Corporation.

Other trademarks and trade names may be used in this document to refer to either the entities claiming the marks and names or their products. Dell Computer Corporation disclaims any proprietary interest in trademarks and trade names other than its own.

**April 2002 P/N 5J802 Rev. A00**



# Contents

<b>Safety Instructions</b> . . . . .	<b>1-1</b>
<b>Installation Instructions</b> . . . . .	<b>1-2</b>
Before You Begin . . . . .	1-3
Important Safety Information . . . . .	1-3
Rack Stabilizer Feet . . . . .	1-3
Installation Tasks . . . . .	1-4
Recommended Tools and Supplies . . . . .	1-4
RapidRails Rack Kit Contents . . . . .	1-4
VersaRails Rack Kit Contents . . . . .	1-5
<b>Removing the Rack Doors</b> . . . . .	<b>1-6</b>
<b>Marking the Rack</b> . . . . .	<b>1-7</b>
<b>Installing the RapidRails Slide Assemblies</b> . . . . .	<b>1-8</b>
<b>Installing the VersaRails Slide Assemblies</b> . . . . .	<b>1-10</b>
<b>Installing the Tower-to-Rack Kit</b> . . . . .	<b>1-11</b>
Removing the Bezel, Feet, Cover, Side Panel, and Front Panel . . . . .	1-12
Installing the Rack Front Panel and Bezel . . . . .	1-13
<b>Installing the System in the Rack</b> . . . . .	<b>1-15</b>
<b>Installing the Cable-Management Arm</b> . . . . .	<b>1-17</b>
Installing the Cable Tray . . . . .	1-17
Securing the Cable-Management Arm . . . . .	1-17
<b>Routing Cables</b> . . . . .	<b>1-18</b>
<b>Replacing the Rack Doors</b> . . . . .	<b>1-18</b>

## Index

### Figures

Figure 1-1.	RapidRails Rack Kit Contents . . . . .	1-5
Figure 1-2.	VersaRails Rack Kit Contents . . . . .	1-6
Figure 1-3.	One Rack Unit. . . . .	1-7
Figure 1-4.	Marking the Vertical Rails . . . . .	1-8
Figure 1-5.	Installing the RapidRails Slide Assemblies . . . . .	1-9
Figure 1-6.	Installing the VersaRails Rail Assemblies. . . . .	1-10
Figure 1-7.	Rack and Tower Version Systems. . . . .	1-11
Figure 1-8.	Removing the Front Bezel . . . . .	1-12
Figure 1-9.	Removing the Feet and the System Cover . . . . .	1-13
Figure 1-10.	Installing the Rack Front Panel . . . . .	1-14
Figure 1-11.	Installing Shoulder Screws and Washers . . . . .	1-14
Figure 1-12.	Installing the Rack Bezel . . . . .	1-15
Figure 1-13.	Installing the System in the Rack. . . . .	1-16
Figure 1-14.	Installing the Cable-Management Arm. . . . .	1-17


# Safety Instructions


Use the following safety guidelines to ensure your own personal safety and to help protect your server, storage system, or appliance from potential damage. For complete safety and regulatory information, see your *System Information* document. Warranty information might be included within this document or as a separate document.


## **Precautions for Rack-Mountable Products**

Observe the following precautions for rack stability and safety. Also refer to the rack installation documentation accompanying the system and the rack for specific warning and/or caution statements and procedures.

Servers, storage systems, and appliances are considered to be components in a rack. Thus, "component" refers to any server, storage system, or appliance, as well as to various peripherals or supporting hardware.

 **CAUTION: Installing system components in a rack without the front and side stabilizers installed could cause the rack to tip over, potentially resulting in bodily injury under certain circumstances. Therefore, always install the stabilizers before installing components in the rack.**

 **CAUTION: After installing system/components in a rack, never pull more than one component out of the rack on its slide assemblies at one time. The weight of more than one extended component could cause the rack to tip over and injure someone.**

 **NOTE:** Your system is safety-certified as a free-standing unit and as a component for use in a rack cabinet using the customer rack kit when both the rack cabinet and rack kit were designed for your system. The installation of your system and rack kit in any other rack cabinet has not been approved by any safety agencies. It is your responsibility to have the final combination of system and rack kit in a cabinet evaluated for suitability by a certified safety agency. The manufacturer disclaims all warranties and liability in connection with such combinations.

- System rack kits are intended to be installed in an approved rack by trained service technicians. If you install the kit in any other rack, be sure that the rack meets the specifications.

 **CAUTION: Do not move large racks by yourself. Due to the height and weight of the rack, it is recommended that a minimum of two people perform this task.**

- Before working on the rack, make sure that the stabilizers are secured to the rack, extend to the floor, and that the full weight of the rack rests on the floor. Install front and side stabilizers on a single rack or front stabilizers for joined multiple racks before working on the rack.

- Always load the rack from the bottom up, and load the heaviest item in the rack first.
- Make sure that the rack is level and stable before extending a component from the rack.
- Use caution when pressing the component rail release latches and sliding a component into or out of a rack; the slide rails can pinch your fingers.
- After a component is inserted into the rack, carefully extend the rail into a locking position, and then slide the component into the rack.
- Do not overload the power supply branch circuit that provides power to the rack. The total rack load should not exceed 80 percent of the branch circuit rating.
- Ensure that proper airflow is provided to components in the rack.
- Do not step on or stand on any system/component when servicing other systems/components in a rack.

## Installation Instructions

This installation guide provides instructions for trained service technicians installing one or more systems in an open-frame relay rack or in a rack cabinet. The Dell™ RapidRails™ rack kit can be installed in all the manufacturer's rack cabinets without tools, and the VersaRails™ rack kit can be installed in most industry-standard rack cabinets. The procedures for installing both RapidRails and VersaRails rack kits are similar. One rack kit is required for each system installed in the rack.



**CAUTION: Do not install rack kit components designed for another system. Use only the rack kit for your Dell system. Using the rack kit for another system may result in damage to the system and personal injury.**



**NOTE:** If your Dell system is a tower version, you must install a tower-to-rack kit. Instructions for installing this kit are included in this document.

The RapidRails rack kit can be installed in any Dell rack cabinet and in most industry-standard rack cabinets.




**NOTICE:** The VersaRails rack kit is intended to be installed by trained service technicians in a rack that meets the specifications of American National Standards Institute (ANSI)/Electronic Industries Association (EIA) standard ANSI/EIA-310-D-92, International Electrotechnical Commission (IEC) 297, and Deutsche Industrie Norm (DIN) 41494. One rack kit is required for each system that is installed in a rack.

## Before You Begin


Before you begin installing your system in the rack, carefully read "Safety Instructions," found earlier in this guide, as well as the safety instructions found in your *System Information* document for additional information.

 **CAUTION: When installing multiple systems in a rack, complete all of the procedures for the current system before attempting to install the next system.**


 **CAUTION: Rack cabinets can be extremely heavy and move easily on the casters. The cabinet has no brakes. Use extreme caution while moving the rack cabinet. Retract the leveling feet when relocating the rack cabinet. Avoid long or steep inclines or ramps where loss of cabinet control may occur. Extend the leveling feet for support and to prevent the cabinet from rolling.**


## Important Safety Information

Observe the safety precautions in the following subsections when installing your system in the rack.

 **CAUTION: You must strictly follow the procedures in this document to protect yourself as well as others who may be involved. Your system may be very large and heavy, and proper preparation and planning are important to prevent injury to yourself and to others. This becomes increasingly important when systems are installed high up in the rack.**

## Rack Stabilizer Feet

 **CAUTION: Installing systems in a rack without the front and side stabilizer feet installed could cause the rack to tip over, potentially resulting in bodily injury under certain circumstances. Therefore, always install the stabilizer feet before installing components in the rack.**

 **CAUTION: After installing systems in a rack, never pull more than one system out of the rack on its slide assemblies at one time. The weight of more than one extended system could cause the rack to tip over and cause injury.**

The stabilizer feet help prevent the rack from tipping over when a system or other component is pulled out of the rack with the slide assemblies fully extended. See the documentation provided with the rack cabinet for instructions on installing and anchoring the stabilizer feet.

## Installation Tasks

Installing a rack kit involves performing the following tasks in their numbered order:

- 1 Removing the rack doors
- 2 Marking the rack
- 3 Installing the rail assemblies in the rack:
  - RapidRails installation
  - VersaRails installation
- 4 Installing the system in the rack
- 5 Installing the cable-management arm
- 6 Routing cables
- 7 Replacing the rack doors

## Recommended Tools and Supplies

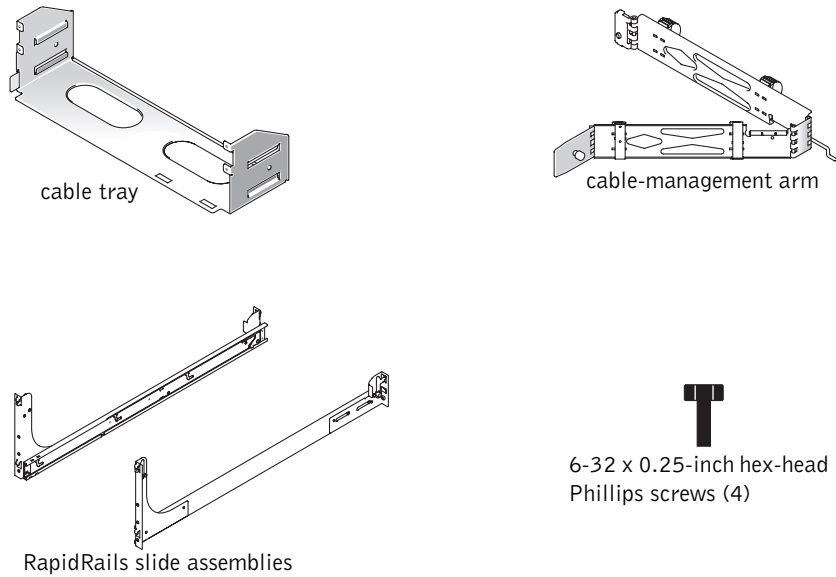
- A #2 Phillips screwdriver
- A T-10 Torx driver (if installing the tower-to-rack kit)
- Masking tape or a felt-tip pen, for use in marking the mounting holes to be used
- A measuring ruler or tape measure

## RapidRails Rack Kit Contents

The RapidRails rack kit includes the following items (see Figure 1-1):

- One pair of RapidRails slide assemblies
- One cable-management arm
- One cable tray
- Four 6-32 x 0.25-inch hex-head Phillips screws


**Figure 1-1. RapidRails Rack Kit Contents**



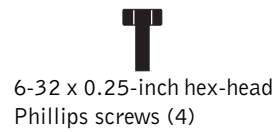
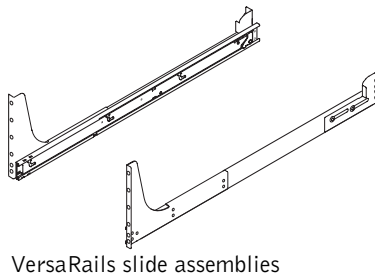
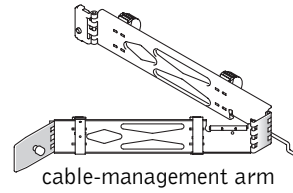
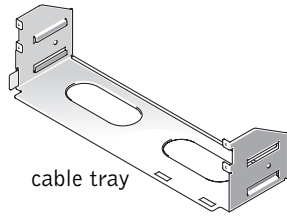
## VersaRails Rack Kit Contents

The VersaRails rack kit includes the following items (see Figure 1-2):

- One pair of VersaRails slide assemblies
- One cable-management arm
- One cable tray
- Ten 10-32 x 0.5-inch flange-head Phillips screws
- Four 6-32 x 0.25-inch hex-head Phillips screws

 **NOTE:** The nonmetric screws described in illustrations and in procedural steps are identified by size and number of threads per inch. For example, a #10 Phillips-head screw with 32 threads per inch is identified as a 10-32 screw.

**Figure 1-2. VersaRails Rack Kit Contents**



## Removing the Rack Doors

See the procedures for removing doors in the documentation provided with your rack cabinet.

**⚠ CAUTION:** Because of the size and weight of the rack cabinet doors, never attempt to remove or install them by yourself.

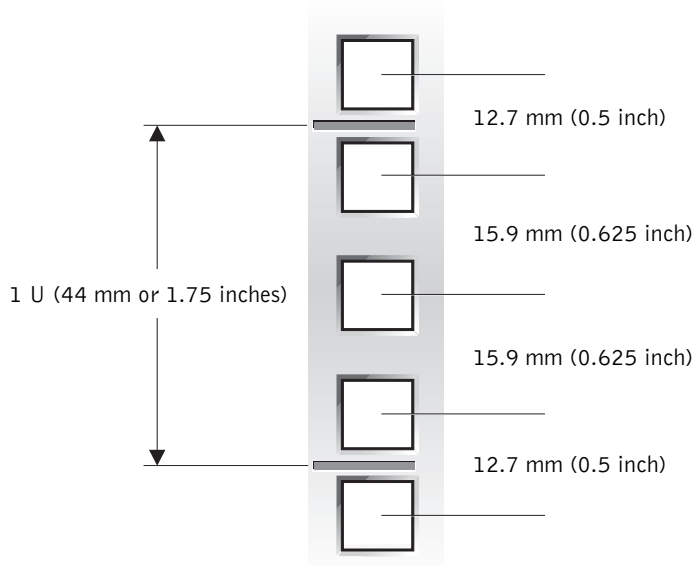
**⚠ CAUTION:** Store the two doors where they will not injure someone if the doors accidentally fall over.



# Marking the Rack

You must allow 5 U (8.75 inches) of vertical space for each system you install in the rack (see Figure 1-3).

**Figure 1-3. One Rack Unit**



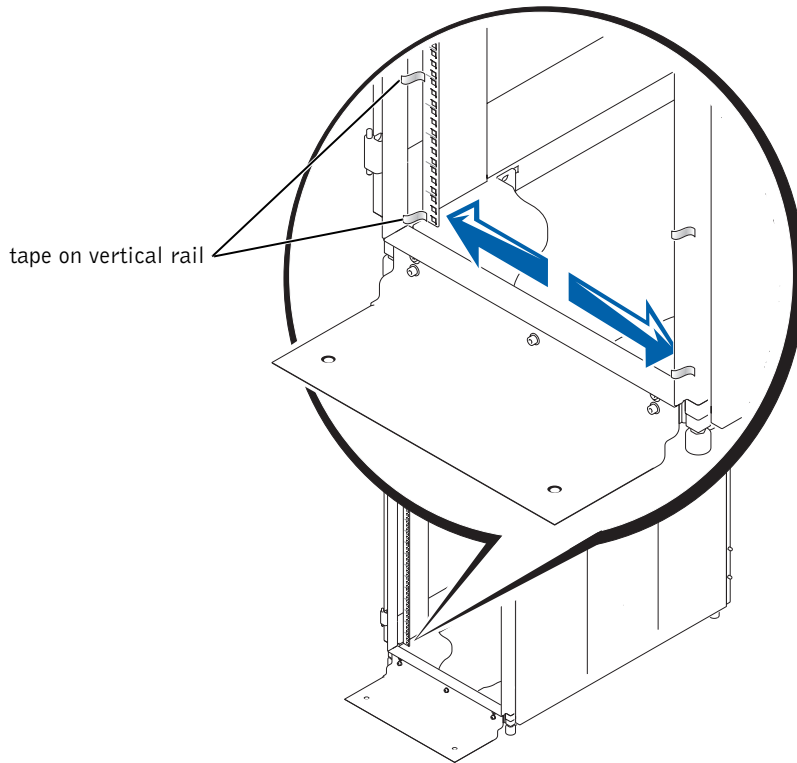
**⚠ CAUTION: If you are installing more than one system, install the slide assemblies so that the first system is installed in the lowest available position in the rack.**

To mark the rack, perform the following steps:

- 1 Place a mark on the rack's front vertical rails where you want to locate the bottom of the system you are installing in the rack cabinet.

The bottom of each 1-U space is at the middle of the narrowest metal area between holes (marked with a horizontal line on some rack cabinets—see Figure 1-4).

Place a mark approximately 8.75 inches above the original mark you made (or count up 15 holes in a rack that meets EIA-310 standards) and mark the rack's front vertical rails with a felt-tipped pen or masking tape (if you counted holes, place a mark just above the top hole). This mark or piece of tape indicates where the system's upper edge will be located on the vertical rails (see Figure 1-4).

**Figure 1-4. Marking the Vertical Rails**

## Installing the RapidRails Slide Assemblies

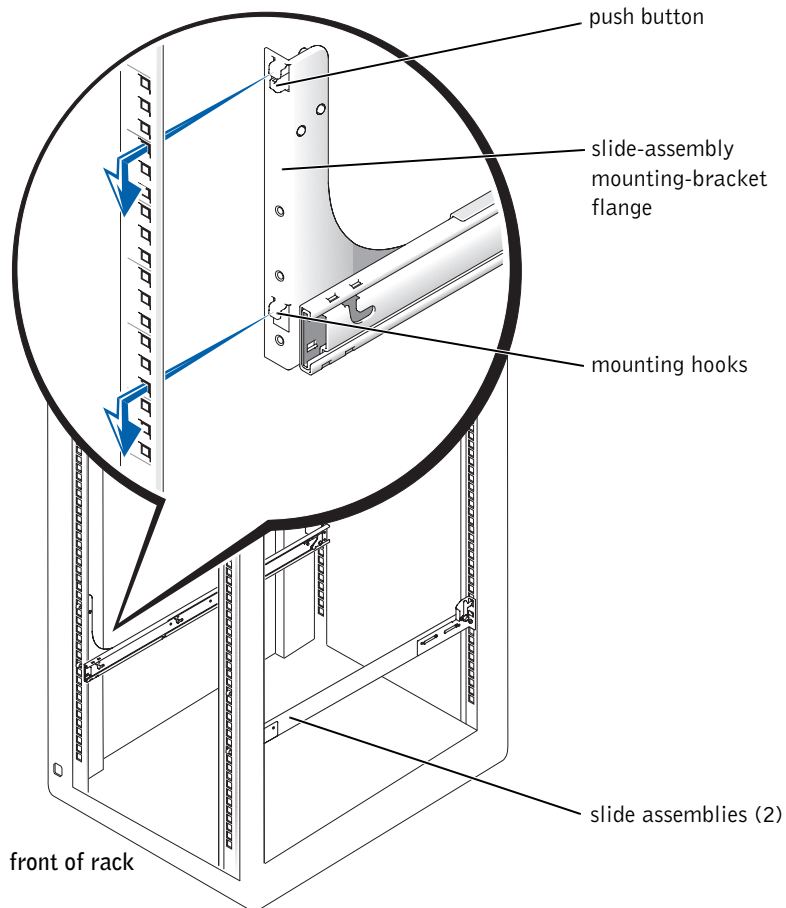
- 1 At the front of the rack cabinet, position one of the RapidRails slide assemblies so that its mounting-bracket flange fits between the marks or tape you placed on the rack (see Figure 1-5).

The top mounting hook on the rail assembly's front-mounting bracket flange should enter the top hole between the marks you made on the vertical rails.

- 2 Push the slide assembly forward until the top mounting hook enters the square hole just below the upper marks or tape you placed on the vertical rail. Next, push down on the mounting-bracket flange until the mounting hooks seat in the square holes and the push button pops out and clicks (see Figure 1-5).

- 3 At the back of the cabinet, pull back on the mounting-bracket flange until the top mounting hook is in the top square hole, and then push down on the flange until the mounting hooks seat in the square holes and the push button pops out and clicks.
- 4 Repeat steps 1 through 3 for the slide assembly on the other side of the rack.
- 5 Ensure that the rails are mounted at the same vertical position on both sides of the rack.

**Figure 1-5. Installing the RapidRails Slide Assemblies**



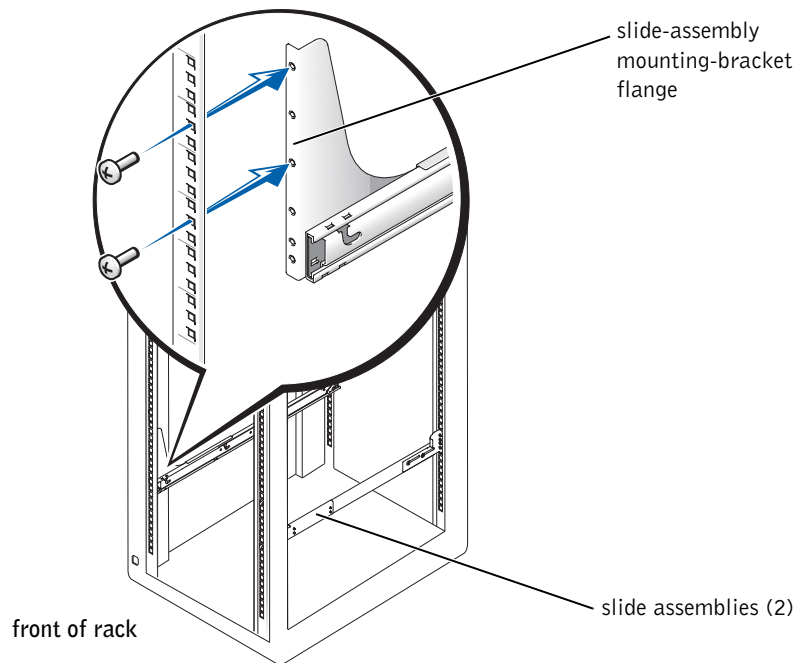
## Installing the VersaRails Slide Assemblies

- 1 At the front of the rack cabinet, place a VersaRails slide assembly so that its mounting-bracket flange fits between the marks or tape (or numbered location) on the rack (see Figure 1-6).

The four holes on the front of the mounting bracket should align with four of the holes between the marks you made on the front vertical rail.


- 2 Install two 10-32 x 0.5-inch flange-head Phillips screws in the mounting flange's top hole and the third-from-top hole (see Figure 1-6).
- 3 At the back of the cabinet, pull back on the mounting-bracket flange until the mounting holes align with their respective holes on the back vertical rail.
- 4 Install two 10-32 x 0.5-inch flange-head Phillips screws in the back mounting flange's top and third-from-top holes to secure the slide assembly to the back vertical rail.
- 5 Repeat steps 1 through 4 for the slide assembly on the other side of the rack.
- 6 Ensure that the slide assemblies are mounted at the same position on the vertical rails on each side of the rack.


**Figure 1-6. Installing the VersaRails Rail Assemblies**



# Installing the Tower-to-Rack Kit

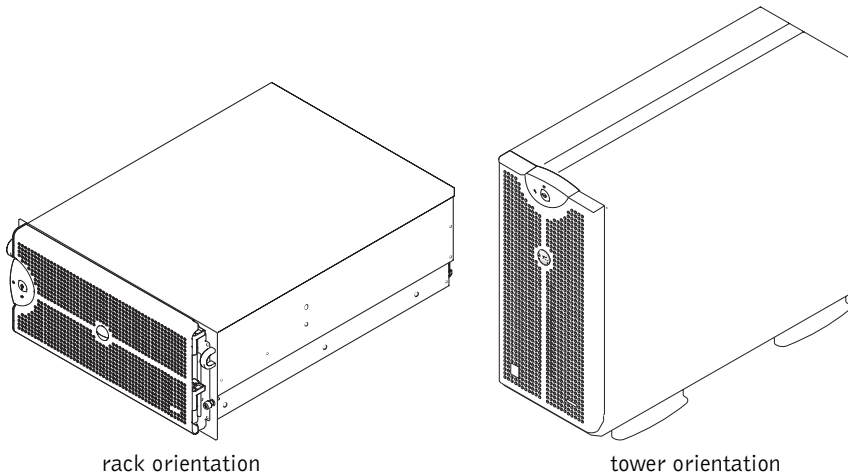
 **NOTE:** If you ordered the tower-to-rack conversion kit, install the kit at this time.

 **NOTE:** If you have a rack-only version of the system, skip this procedure and proceed to "Installing the System in the Rack."

 **CAUTION:** The system may weigh up to 43 kilograms (95 pounds) when fully loaded. To prevent personal injury, do not attempt to move the system by yourself.

The rack version and the tower version system are shown in Figure 1-7.

**Figure 1-7. Rack and Tower Version Systems**



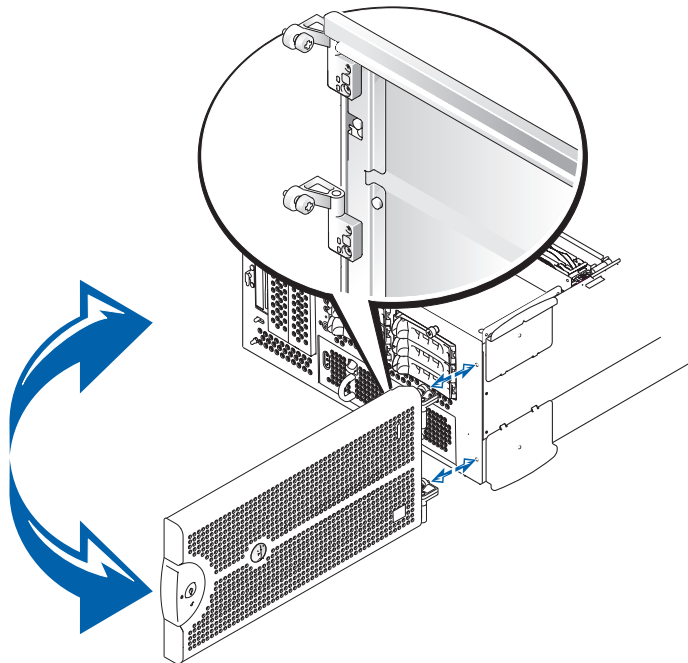
The tower-to-rack kit includes the following items:

- One rack front panel with rack handles and thumbscrews
- One rack bezel, complete with keylock, keys, and attaching hardware
- Six 10-32 shoulder screws
- Six #10 flat washers

## Removing the Bezel, Feet, Cover, Side Panel, and Front Panel

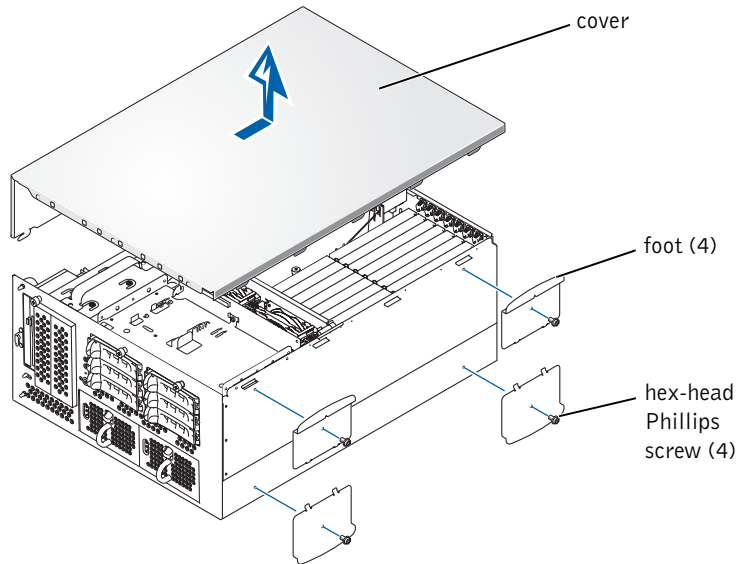
- 1 To remove the bezel with the system laying on its left side, perform the following steps:
  - a Using the system key, unlock the front bezel.
  - b Swing the bezel away from the system until it is perpendicular to the system.
  - c Using a #2 Phillips screwdriver, loosen the thumbscrews to release the bezel and set it aside (see Figure 1-8).

**Figure 1-8. Removing the Front Bezel**



- 2 Remove the four metal feet from the system:
  - a Using a #2 Phillips screwdriver or a 1/4-inch nut driver, remove the screw that secures each metal foot.
  - b Pull each foot from the chassis (see Figure 1-9).
- 3 Remove the system cover and set it aside (see Figure 1-9):
  - a Loosen the three thumbscrews on the front of the system.

**Figure 1-9. Removing the Feet and the System Cover**



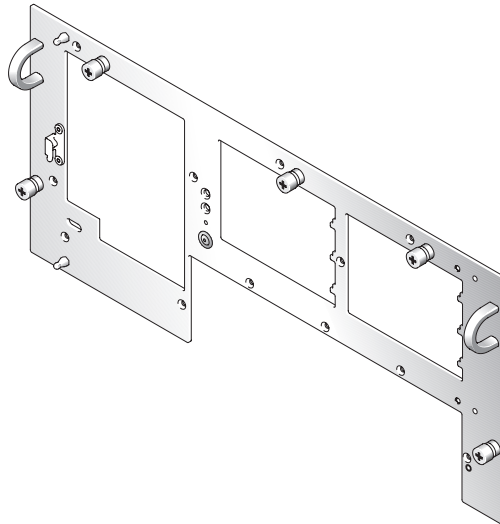
- b** Slide the system cover back and grasp the cover at both ends.
- c** Carefully lift the cover away from the system and set it aside.
- 4** Remove the cosmetic trim panels on the left side of the chassis:
  - a** Remove the seven T-10 Torx screws from the top, left, and bottom edge of the front panel.  
These seven screws secure the cosmetic trim panel to the front panel and chassis.
  - b** Slide the cosmetic trim panel about 0.5 inch toward the back of the chassis and lift it away.
- 5** Remove the 12 remaining T-10 Torx screws that secure the tower front panel to the chassis.
- 6** Lift the front panel away and set it aside, out of the way.

### **Installing the Rack Front Panel and Bezel**

- 1** Install the rack front panel on the chassis, securing it with 13 of the Torx screws you removed in the previous procedure (see Figure 1-10).

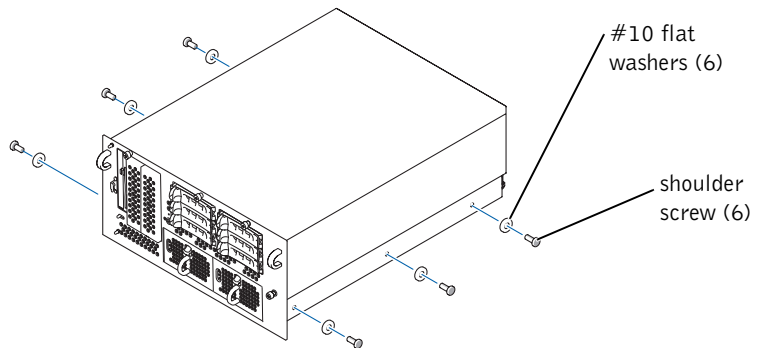
Notice that the rack front panel is wider than the tower front panel and has handles and thumbscrews for the front vertical rails.

**Figure 1-10. Installing the Rack Front Panel**



- 2** Install three 10-32 shoulder screws and three #10 flat washers on each side of the chassis (see Figure 1-11).

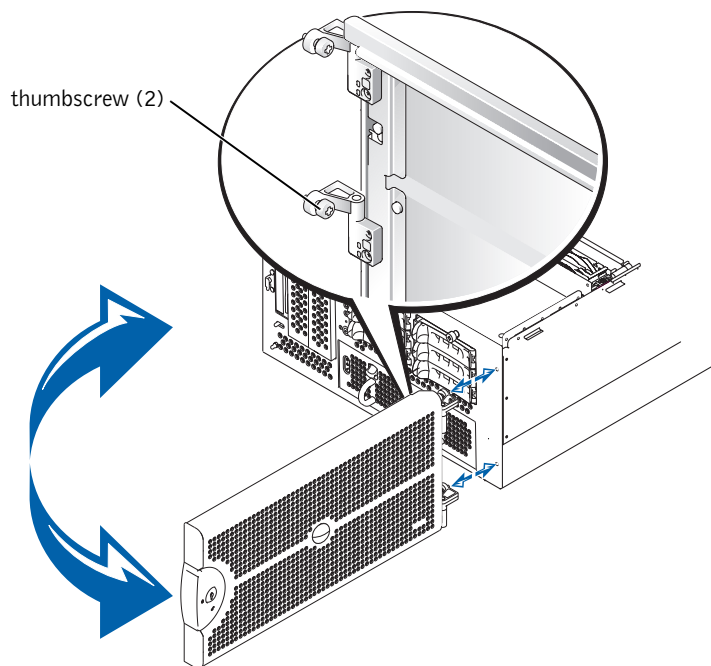
**Figure 1-11. Installing Shoulder Screws and Washers**



- 3** Install the new rack bezel:
  - a** Position the bezel so that its hinged mounting bracket thumbscrews are aligned with the holes in the system front panel (see Figure 1-12).
  - b** Secure the thumbscrews to the front panel with a Phillips screwdriver.



**Figure 1-12. Installing the Rack Bezel**



- 4 Reinstall the hard drives in their slots in the drive bay, if they were removed to lighten the chassis (see your *Installation and Troubleshooting Guide* for instructions).
- 5 Install the power supplies and the microprocessor tray, if they were removed to lighten the chassis.
- 6 Close the bezel.
- 7 Replace the system cover.

## Installing the System in the Rack

**⚠ CAUTION: If you are installing more than one system, install the first system in the lowest available position in the rack.**

**⚠ CAUTION: Never pull more than one component out of the rack at a time.**

- 1 Pull the two interior slide assemblies out of the rack until they lock in the fully-extended position.

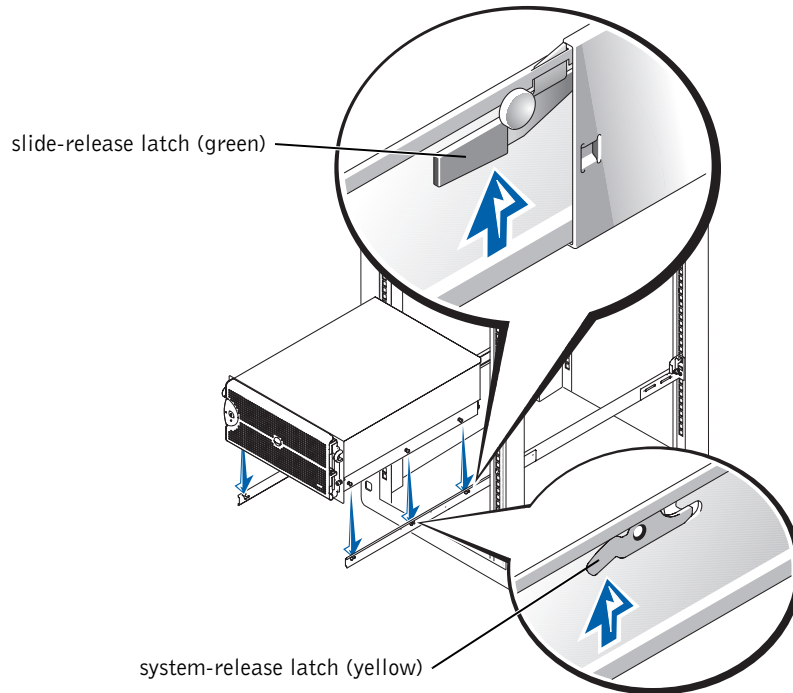
**⚠ CAUTION: Because of the size and weight of the system, never attempt to install the system in the slide assemblies by yourself.**

- 2 Lift the system into position.

Using a minimum of two persons, each person should place one hand on the front-bottom of the system and the other hand on the back-bottom of the system.

- 3 Tilt the front of the system upward while aligning the back shoulder screws on the sides of the system with the back slots on the slide assemblies (see Figure 1-13).

**Figure 1-13. Installing the System in the Rack**



- 4 Engage the back shoulder screws in the slot just behind the green slide-release latch, followed by the middle and front shoulder screws.
- 5 Push the system inward on the slide assemblies until the yellow system-release latch clicks into place, locking the slide to the system's middle shoulder screw (see Figure 1-13).
- 6 Pull up on the green slide-release latches and push the system into the rack.
- 7 Tighten the thumbscrews on the rack front panel.

# Installing the Cable-Management Arm

This procedure is performed in two phases. First, install the cable tray into the back of the system chassis. Next, install the cable-management arm on either side of the cable tray.

## Installing the Cable Tray

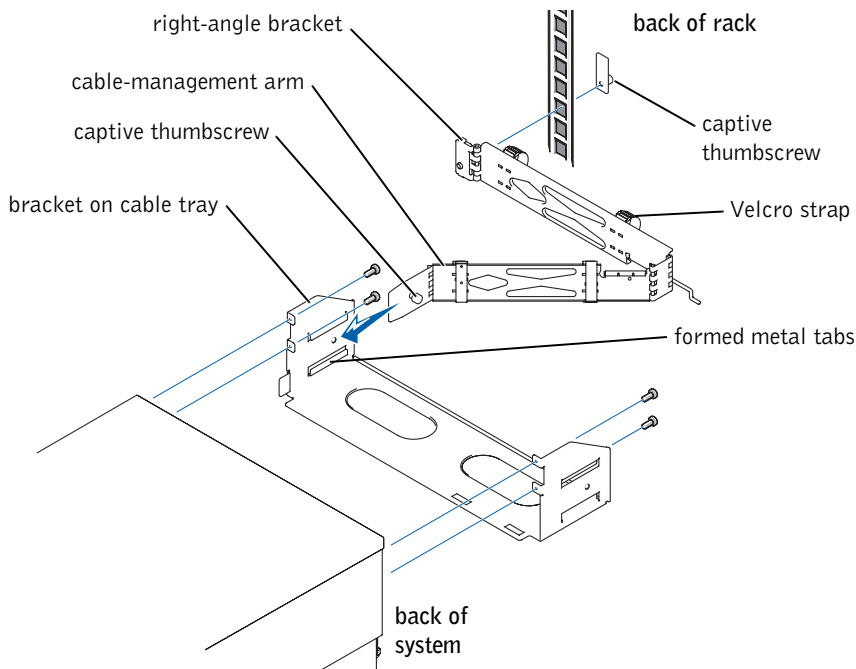
Attach the cable tray to the system chassis using four 6-32 x 0.25-inch hex-head Phillips screws (see Figure 1-14).

**⚠ CAUTION: The cable tray cannot support the weight of the system. Do not grasp the cable tray when lifting the system. Lift the system only by the chassis edges.**

## Securing the Cable-Management Arm


- 1 Facing the back of the rack cabinet, attach the right-angle bracket on the cable-management arm to the cabinet's back vertical rail and secure it with the captive thumbscrews (see Figure 1-14). The bracket clamps into the square mounting holes on the vertical rail.

**Figure 1-14. Installing the Cable-Management Arm**



- 2 Slide the unattached end of the cable-management arm into the slotted pocket made by the formed metal tabs on the side of the cable tray.
- 3 Secure the cable-management arm in its slotted pocket with the captive thumbscrew.

## Routing Cables

- 1 Attach the I/O and power cables to their connectors on the back of the system.  
For details, see your system's *Installation and Troubleshooting Guide* and *User's Guide*.
- 2 Secure all of the cables to the cable-management arm:
  - a Loosen the thumbscrews that secure the front panel of the system to the front vertical rail.
  - b Slide the system forward to the fully-extended position.
  - c Route the cables along the cable-management arm, allowing slack in the cables at the hinge positions, and secure the cables to the cable-management arm with the Velcro straps attached to the cable-management arm (see Figure 1-14).
- 3 Slide the system in-and-out of the rack to verify that the cables are routed correctly and do not bind, stretch, or pinch with the movement of the cable-management arm.  
 **NOTE:** As you pull the system out to its fully-extended position, the slide assemblies will lock in the extended position. To push the system back into the rack, press the green slide-release latch on the side of each slide to release the locks, and then slide the system completely into the rack.
- 4 Tighten the thumbscrews that you loosened in step 2a.

## Replacing the Rack Doors

See the procedures for replacing doors in the documentation provided with your 24-U and 42-U rack cabinets.

This completes the rack installation of your system.

# Index

## C

- cable routing, 1-18
- contents listed
  - RapidRails kit, 1-4
  - VersaRails kit, 1-5

## D

- doors
  - removing, 1-6
  - replacing, 1-18

## I

- installing
  - cable management arm, 1-17
  - rack front panel, 1-13
  - system, 1-14
  - system in the rack, 1-15
  - tower-to-rack kit, 1-11
- installing in rack system, 1-11
- installing system
  - four-post rack, 1-11

## K

- kit contents
  - RapidRails, 1-4
  - VersaRails, 1-6

## M

- marking the rack, 1-7

## R

- rack
  - marking, 1-7
- rack mount precautions, 1-3
- rack stabilizer feet, 1-3
- RapidRails kit contents, 1-4
- routing cables, 1-18

## S

- safety instructions, 1-1
- system
  - installing in rack, 1-14

## T

- tools and supplies
  - four-post kits, 1-4

## V

- VersaRails
  - kit contents, 1-5, 1-6
- VersaRails kit contents
  - list of, 1-5



Systemes Dell™

# Guide d'installation du rack



# Remarques, mises en garde et avertissements



**REMARQUE** : UNE REMARQUE indique une information importante destinée à vous aider à mieux utiliser votre ordinateur.



**MISE EN GARDE** : UNE MISE EN GARDE indique un dommage potentiel pouvant survenir (ou une perte de données) et vous dit comment éviter le problème.



**ATTENTION** : Le message **ATTENTION** indique une situation potentiellement dangereuse qui, si elle n'est pas évitée, peut provoquer une blessure mineure ou modérée.

---

Les informations fournies dans ce document sont susceptibles d'être modifiées sans préavis.  
© 2002 Dell Computer Corporation. Tous droits réservés.

La reproduction de ce document de quelque manière que ce soit sans l'autorisation écrite de Dell Computer Corporation est strictement interdite.

Marques déposées utilisées dans ce guide : *Dell*, le logo *DELL*, *RapidRails*, et *VersaRails* sont des marques commerciales de Dell Computer Corporation.

Toutes les autres marques déposées et noms de marques utilisés dans ce document se rapportent aux sociétés propriétaires des marques et des noms de ces produits. Dell Computer Corporation décline tout intérêt dans l'utilisation des marques déposées et des noms de marques ne lui appartenant pas.

Avril 2002    Réf 5J802    Rév. A00



# Sommaire

<b>Instructions de sécurité</b> . . . . .	<b>2-1</b>
<b>Instructions d'installation</b> . . . . .	<b>2-2</b>
Avant de commencer . . . . .	2-3
Informations importantes sur la sécurité . . . . .	2-3
Pieds stabilisateurs du rack . . . . .	2-3
Tâches d'installation . . . . .	2-4
Outils et fournitures recommandés . . . . .	2-4
Contenu du kit du rack RapidRails . . . . .	2-4
Contenu du kit du rack VersaRails . . . . .	2-5
<b>Retrait des portes du rack</b> . . . . .	<b>2-6</b>
<b>Marquage du rack</b> . . . . .	<b>2-7</b>
<b>Installation des rails coulissants RapidRails</b> . . . . .	<b>2-8</b>
<b>Installation des rails coulissants VersaRails</b> . . . . .	<b>2-10</b>
<b>Installation du kit de conversion de tour en rack</b> . . . . .	<b>2-11</b>
Retrait du cache, des pieds, du capot, du panneau latéral et du panneau avant . . . . .	2-12
Installation du panneau avant du rack et du cache . . . . .	2-13
<b>Installation du système dans le rack</b> . . . . .	<b>2-15</b>
<b>Installation du bras de maintien des câbles</b> . . . . .	<b>2-17</b>
Installation du chemin de câbles . . . . .	2-17
Installation du bras de maintien des câbles . . . . .	2-17
<b>Routage des câbles</b> . . . . .	<b>2-18</b>
<b>Remise en place des portes du rack</b> . . . . .	<b>2-18</b>

## Index

### Figures

Figure 2-1.	Contenu du kit du rack RapidRails . . . . .	2-5
Figure 2-2.	Contenu du kit du rack VersaRails . . . . .	2-6
Figure 2-3.	Unité à un rack . . . . .	2-7
Figure 2-4.	Marquage des rails verticaux . . . . .	2-8
Figure 2-5.	Installation des rails coulissants RapidRails . . . . .	2-9
Figure 2-6.	Installation des rails VersaRails. . . . .	2-10
Figure 2-7.	Version tour et rack. . . . .	2-11
Figure 2-8.	Retrait du cache avant. . . . .	2-12
Figure 2-9.	Retrait des pieds et du capot du système. . . . .	2-13
Figure 2-10.	Installation du panneau avant du rack . . . . .	2-14
Figure 2-11.	Installation des vis à épaulement et des rondelles . . . . .	2-14
Figure 2-12.	Installation du panneau de rack . . . . .	2-15
Figure 2-13.	Installation du système dans le rack . . . . .	2-16
Figure 2-14.	Installation du bras de maintien des câbles. . . . .	2-17


# Instructions de sécurité


Respectez les consignes de sécurité de ce guide pour assurer votre sécurité personnelle et pour contribuer à protéger votre serveur, votre système de stockage ou appareil, des dommages potentiels. Pour obtenir toutes les informations de sécurité et les réglementaires, reportez-vous au document intitulé *Informations système*. Les informations de garantie peuvent être contenues dans ce document ou sous la forme d'un document distinct.


## **Précautions à suivre concernant les produits destinés à être montés dans des racks**

Pour la stabilité du rack et pour votre sécurité, veuillez respecter les précautions suivantes. Reportez-vous également à la documentation accompagnant le système et le rack pour connaître les avertissements et/ou les mises en garde et les procédures spécifiques.


Les serveurs, les systèmes de stockage et les appareils sont considérés comme les composants d'un rack. Ainsi, le terme "composant" fait référence à tout serveur, tout système de stockage ou appareil, aussi bien qu'aux différents périphériques ou matériels.

 **ATTENTION : L'installation de composants d'un système dans un rack sans placer de stabilisateurs avant et latéraux peut provoquer le basculement du rack, et comporte dans certaines situations un risque de blessures. C'est pourquoi il faut toujours installer les stabilisateurs avant d'installer les composants du rack.**

 **ATTENTION : Après avoir installé le système/les composants dans un rack, ne tirez jamais plus d'un composant du rack sur les supports coulissants. Le poids représenté par plus d'un composant étendu pourrait en effet provoquer le basculement du rack et blesser l'utilisateur.**

 **REMARQUE :** Votre système est certifié sur le plan de la sécurité en tant qu'unité autonome et en tant que composant destiné à être utilisé dans une armoire rack, à l'aide du kit de rack client, à condition que l'armoire rack et le kit de rack soient conçus pour votre système. L'installation du système et du kit de rack dans tout autre type de rack n'a reçu aucune homologation des organismes de certification de la sécurité. Il est de votre entière responsabilité de faire évaluer par un organisme de sécurité agréé la combinaison finale du système et du kit de rack dans une armoire de rack. Le fabricant décline toute responsabilité et toutes garanties liées à ce type de combinaisons.


- Les kits de racks sont destinés à être installés dans un rack homologué par des techniciens expérimentés. Si vous installez ce kit dans tout autre rack, assurez-vous que ce rack répond à toutes les spécifications requises.


 **ATTENTION : Ne déplacez pas seul les racks volumineux. En raison de la hauteur et du poids du rack, il est recommandé de confier l'exécution de cette tâche à deux personnes au minimum.**

- Avant de travailler sur le rack, assurez-vous que les stabilisateurs sont bien en place sur le rack et au sol, et que tout le poids du rack repose sur le sol. Installez les stabilisateurs avant et latéraux (pour un rack simple) ou les stabilisateurs avant (pour les racks multiples) avant de travailler sur le rack.
- Chargez toujours le rack du bas vers le haut, en plaçant toujours la plus forte charge en premier.
- Assurez-vous que le rack est bien de niveau avant de sortir l'un des composants à l'aide des supports coulissants.
- Agissez avec précaution lorsque vous appuyez sur les verrous des rails pour les libérer et faire glisser un composant hors ou dans le rack. Les rails coulissants pourraient en effet vous coincer les doigts.
- Après avoir inséré un composant dans le rack, étendez le rail en position maximum jusqu'à son verrouillage puis faites glisser le composant dans le rack.
- Ne surchargez pas le circuit d'alimentation dérivé alimentant le rack en électricité. La charge totale du rack ne doit pas excéder 80 % de la puissance du circuit dérivé.
- Assurez-vous que l'air circule suffisamment entre les composants du rack.
- Ne montez jamais sur l'un des composants du système lors de l'entretien.


## Instructions d'installation

Ce guide d'installation contient des instructions s'adressant à des techniciens de maintenance qualifiés et explique comment installer un ou plusieurs systèmes dans un rack de relais avec châssis ouvert ou une armoire rack. Le kit de rack Dell™ RapidRails™ peut être installé sans outils dans toutes les armoires rack du fabricant ; le kit de rack VersaRails™ peut être installé dans la plupart des armoires rack conformes aux normes de l'industrie. Les procédures d'installation des kits de rack RapidRails et VersaRails sont les mêmes. Un kit de rack est nécessaire pour chaque système installé dans le rack.

 **ATTENTION : N'installez pas de composants de kit de rack prévus pour un autre système. Utilisez uniquement le kit de rack de votre système Dell. Si vous employez le kit d'un autre système, vous risquez d'endommager le système et de vous blesser.**


 **REMARQUE :** Si votre système Dell est une version tour, vous devez installer un kit de conversion de tour en rack. Les instructions d'installation de ce type de kit sont fournies dans le présent document.


Le kit de rack RapidRails peut être installé dans n'importe quelle armoire rack Dell et dans la plupart des armoires rack conformes aux normes de l'industrie.

 **MISE EN GARDE :** Le kit de rack VersaRails est prévu pour être installé par des techniciens de maintenance qualifiés dans un rack conforme aux spécifications des organismes suivants : American National Standards Institute (ANSI)/Electronic Industries Association (EIA) standard ANSI/EIA-310-D92, International Electrotechnical Commission (IEC) 297, et Deutsche Industrie Norm (DIN) 41494. Un kit de rack est nécessaire pour chaque système installé dans un rack.

## Avant de commencer


Avant de commencer à installer votre système dans le rack, lisez les "Instructions de sécurité" au début de ce document, ainsi que les instructions de sécurité du document *Informations système* qui vous fourniront des renseignements supplémentaires.

 **ATTENTION :** Lorsque vous installez plusieurs systèmes dans un rack, exécutez toutes les procédures s'appliquant au système en cours avant d'essayer d'installer le système suivant.


 **ATTENTION :** Les armoires rack peuvent être extrêmement lourdes et leurs roulettes leur permettent de se déplacer facilement. L'armoire ne possède pas de système de freins. Procédez par conséquent avec la plus grande prudence pour déplacer l'armoire rack. Pensez à rentrer ses pieds de nivellement lorsque vous la changez d'emplacement. Evitez de la déplacer le long de rampes ou de plans inclinés trop longs ou trop abrupts, sur lesquels l'armoire pourrait vous échapper. Ressortez les pieds de nivellement lorsqu'il est nécessaire de soutenir l'armoire ou pour lui éviter de glisser sur ses roulettes.


## Informations importantes sur la sécurité

Observez les précautions de sécurité décrites dans les sous-sections suivantes lors de l'installation de votre système dans le rack.

 **ATTENTION :** Vous devez respecter à la lettre les procédures de ce document afin de garantir votre propre protection ainsi que celle d'autrui. Votre système peut être très lourd et volumineux. Une préparation et une planification adéquates sont donc importantes afin d'éviter tout risque de blessure pour vous-même ou autrui. Ces précautions sont d'autant plus importantes lorsque les systèmes sont installés très haut dans le rack.

## Pieds stabilisateurs du rack

 **ATTENTION :** L'installation de systèmes dans un rack sans placer de pieds stabilisateurs avant et latéraux peut provoquer le basculement du rack, et comporte dans certaines situations un risque de blessures. C'est pourquoi il faut toujours installer les pieds stabilisateurs avant d'installer les composants du rack.

 **ATTENTION :** Après avoir installé des systèmes dans un rack, ne retirez jamais plus d'un système à la fois hors du rack à l'aide de ses rails coulissants. Le poids représenté par plus d'un système lorsqu'il est extrait pourrait en effet provoquer le basculement du rack et blesser l'utilisateur.

Les pieds stabilisateurs empêchent le rack de basculer lorsque vous extrayez un système ou un autre composant hors du rack, les rails coulissants étant complètement ressortis. Consultez la documentation fournie avec l'armoire rack pour savoir comment installer et fixer les pieds stabilisateurs.

## Tâches d'installation

Pour installer un kit de rack, vous devez effectuer les tâches suivantes dans l'ordre dans lequel elles sont indiquées :

- 1 Retrait des portes du rack
- 2 Marquage du rack
- 3 Installation des rails dans le rack :
  - Installation du kit RapidRails
  - Installation du kit VersaRails
- 4 Installation du système dans le rack
- 5 Installation du bras de maintien des câbles
- 6 Routage des câbles
- 7 Remise en place des portes du rack

## Outils et fournitures recommandés

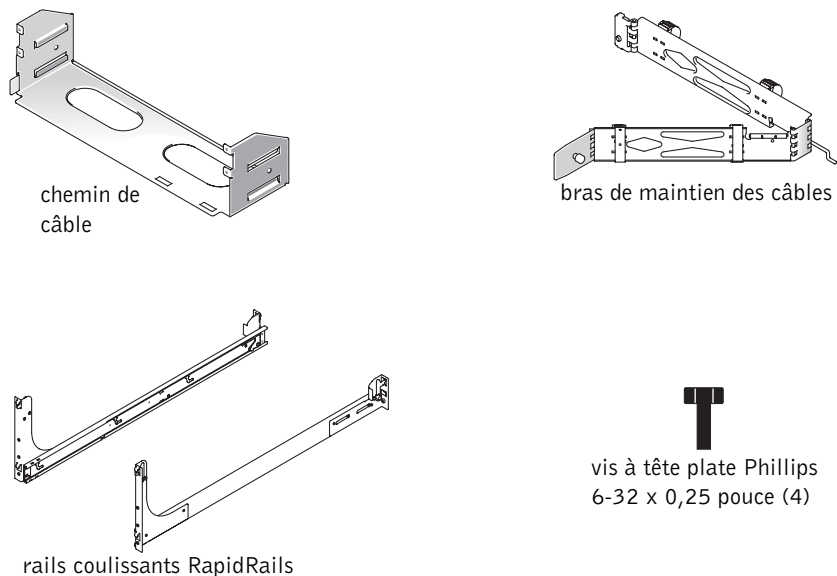
- Un tournevis Phillips n°2
- Un tournevis Torx T-10 (pour installer le kit de conversion de tour en rack)
- Bande protectrice adhésive ou stylo feutre pour marquer les trous de montage à utiliser
- Un règle ou un mètre-ruban

## Contenu du kit du rack RapidRails

Le kit du rack RapidRails comprend les éléments suivants (voir la Figure 2-1) :

- Une paire de rails coulissants RapidRails
- Un bras de maintien des câbles
- Un chemin de câble
- Quatre vis à tête plate Phillips 6-32 x 0,25 pouce

**Figure 2-1. Contenu du kit du rack RapidRails**



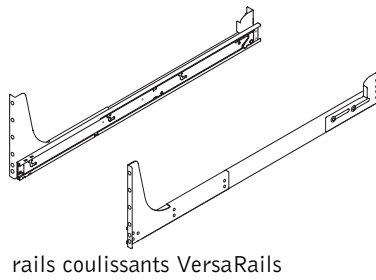
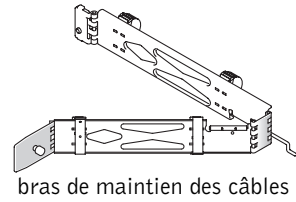
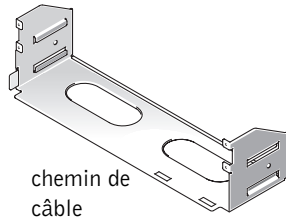
### **Contenu du kit du rack VersaRails**

Le kit du rack VersaRails comprend les éléments suivants (voir la Figure 2-2) :

- Une paire de rails coulissants VersaRails
- Un bras de maintien des câbles
- Un chemin de câble
- Dix vis à tête Phillips 10-32 x 0,5 pouce
- Quatre vis à tête plate Phillips 6-32 x 0,25 pouce

**REMARQUE :** Les vis non métriques décrites dans les illustrations et dans les étapes des procédures sont identifiées par la taille et le nombre des filetages par pouce. Par exemple, une vis à tête Phillips n° 10 avec 32 filetages est désignée par l'appellation vis 10-32.

**Figure 2-2. Contenu du kit du rack VersaRails**



## Retrait des portes du rack

Reportez-vous aux procédures de retrait des portes dans la documentation fournie avec le rack.

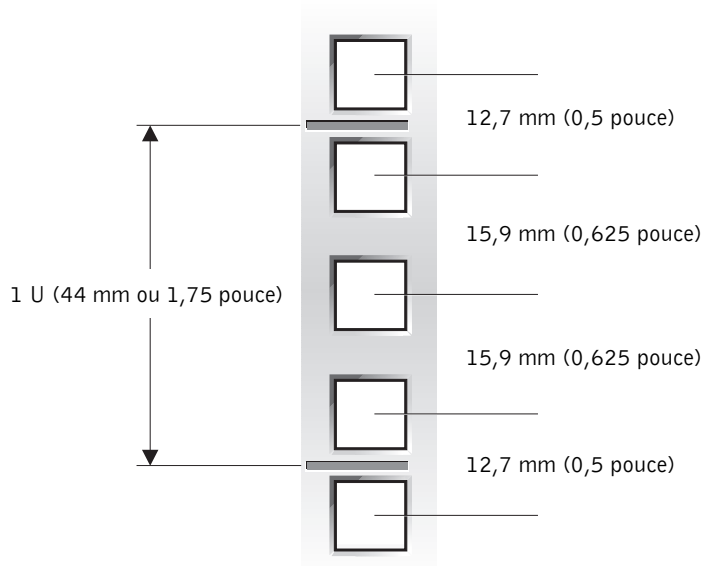
- ⚠ ATTENTION : Compte tenu du poids et de la taille des portes de l'armoire rack, ne retirez ou n'installez jamais les portes seul.**
- ⚠ ATTENTION : Stockez les deux portes dans un endroit sûr où elles ne risquent pas de tomber accidentellement et de blesser quelqu'un.**



# Marquage du rack

Vous devez laisser un espace vertical de 5 U (8,75 pouces) pour chaque système installé dans le rack (voir la Figure 2-3).

**Figure 2-3. Unité à un rack**



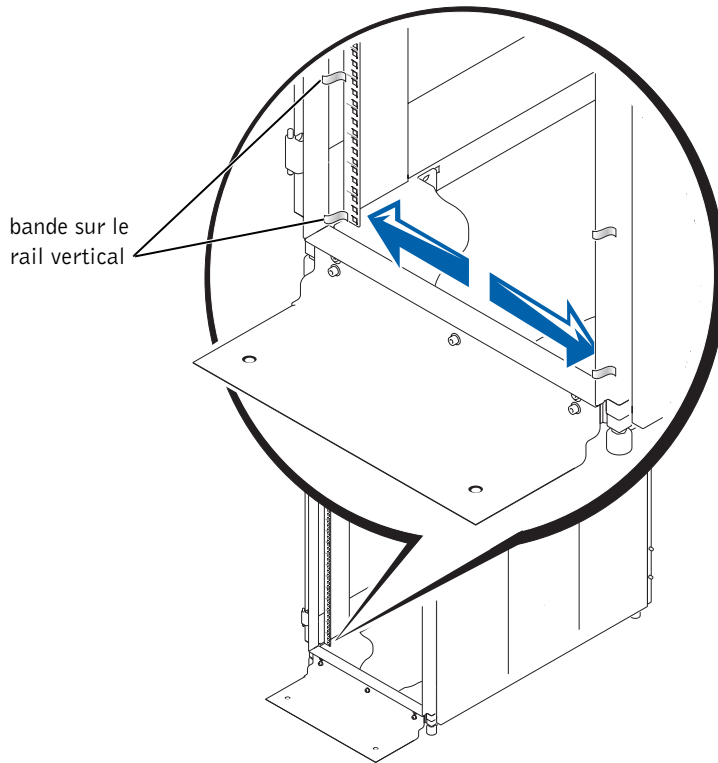
**⚠ ATTENTION : si vous installez plus d'un système, installez les rails coulissants de façon à ce que le premier système soit placé le plus bas possible dans le rack.**

Pour marquer le rack, procédez comme suit :

- 1 Placez une marque sur les rails verticaux avant du rack, à l'endroit correspondant au bas du système à installer dans l'armoire rack.

Le bas de chaque espace 1U se trouve au milieu de la zone métallique la plus étroite située entre les trous (repérée par une ligne horizontale sur certaines armoires rack — voir la Figure 2-4).

Placez une marque à environ 8,75 pouces (22,2 cm) au-dessus de la marque originale que vous avez faite (ou comptez jusqu'à 15 trous dans les racks conformes aux normes EIA-310), puis marquez les rails verticaux du rack avec un stylo feutre ou de la bande protectrice adhésive (si vous avez compté les trous, placez une marque juste au-dessus du trou du haut). Cette marque ou ce morceau de bande adhésive indique l'endroit où le rebord supérieur du système sera installé sur les rails verticaux (voir la Figure 2-4).

**Figure 2-4. Marquage des rails verticaux**

## Installation des rails coulissants RapidRails

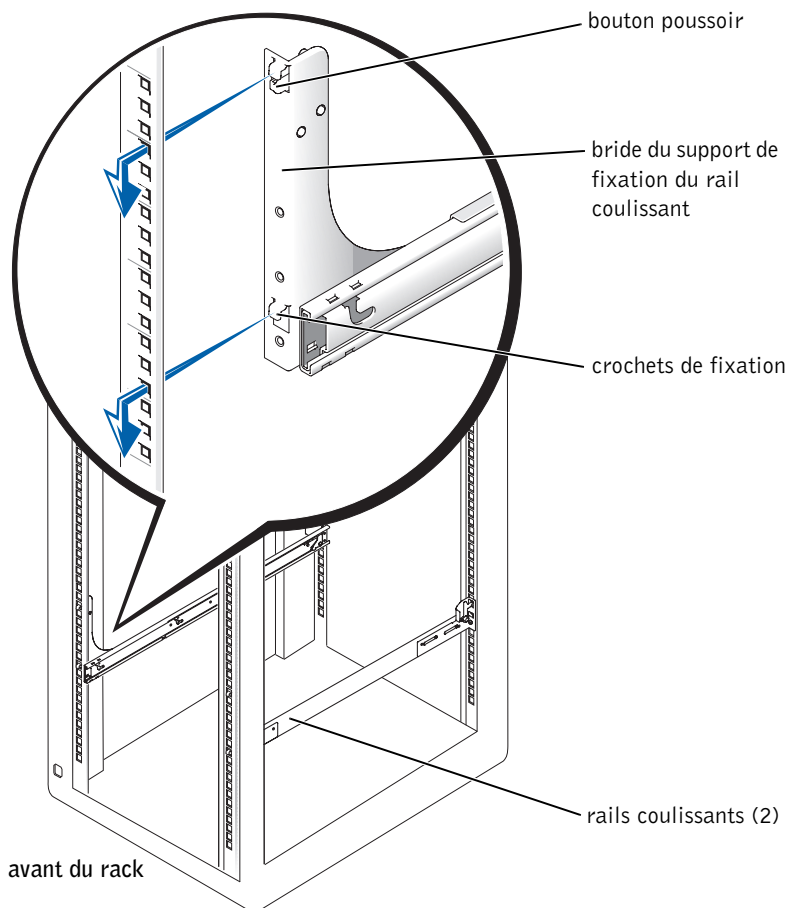
- 1 A l'avant de l'armoire rack, positionnez l'un des rails RapidRails de façon à ce que la bride de fixation soit située entre les marques (ou la bande adhésive) placées sur le rack (voir la Figure 2-5).

Le crochet de fixation supérieur sur la bride de fixation avant du rail coulissant doit pénétrer dans le trou supérieur situé entre les marques que vous avez faites sur les rails verticaux.

- 2 Poussez le rail coulissant vers l'avant jusqu'à ce que le crochet de fixation supérieur pénètre dans son trou carré juste sous les marques supérieures ou la bande placée sur le rail vertical. Ensuite, exercez une pression vers le bas sur la bride de fixation jusqu'à ce que le crochet de fixation s'enclenche dans les trous carrés et que le bouton-poussoir ressorte et émette un déclic (voir la Figure 2-5).

- 3 A l'arrière de l'armoire, tirez sur la bride de fixation jusqu'à ce que le crochet de fixation supérieur soit positionné dans le trou carré, puis exercez une pression vers le bas sur la bride de fixation jusqu'à ce que le crochet de fixation s'enclenche dans les trous carrés et que le bouton-poussoir ressorte et émette un déclic.
- 4 Effectuez de nouveau les opérations des étapes de 1 à 3 pour le rail coulissant situé sur l'autre côté du rack.
- 5 Vérifiez que les rails sont montés à la même position verticale de chaque côté du rack.

**Figure 2-5. Installation des rails coulissants RapidRails**



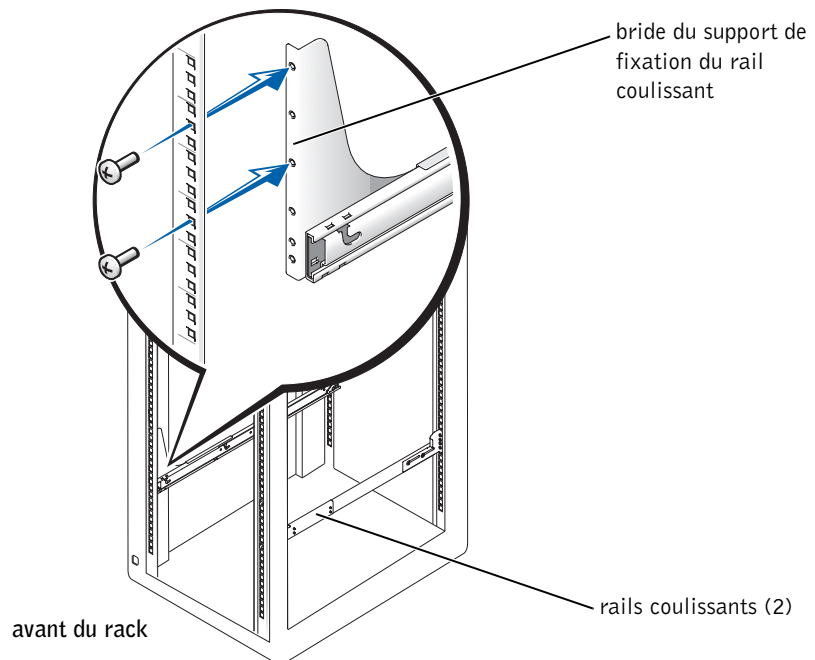
## Installation des rails coulissants VersaRails

- 1 A l'avant du rack, positionnez l'un des rails coulissants VersaRails de façon à ce que la bride de fixation soit située entre les marques ou la bande adhésive (ou l'emplacement numéroté) sur le rack (voir la Figure 2-6).


Les quatre trous à l'avant de la bride de fixation doivent correspondre avec quatre des trous entre les marques que vous avez effectuées sur le rail vertical avant.


- 2 Insérez deux vis Phillips à tête plate 10-32 x 0,5 " dans le trou du haut et le troisième trou à partir du haut sur la bride de fixation (voir la Figure 2-6).
- 3 A l'arrière de l'armoire, tirez sur la bride de fixation jusqu'à ce que les trous de montage correspondent exactement à leurs trous respectifs sur le rail vertical arrière.
- 4 Insérez deux vis Phillips à tête plate 10-32 x 0,5 " dans le trou du haut et le troisième trou à partir du haut de la bride de fixation arrière afin de fixer le rail coulissant au rail vertical arrière.
- 5 Effectuez de nouveau les opérations des étapes de 1 à 4 pour le rail coulissant situé sur l'autre côté du rack.
- 6 Vérifiez que les rails coulissants sont montés à la même position sur les rails verticaux de chaque côté du rack.


**Figure 2-6. Installation des rails VersaRails**



# Installation du kit de conversion de tour en rack

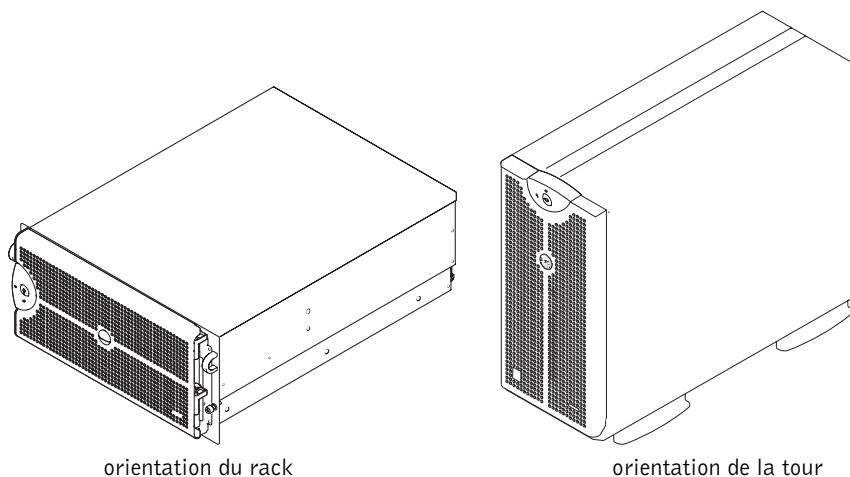
 **REMARQUE** : Si vous avez commandé le kit de conversion de tour en rack, installez le kit maintenant.

 **REMARQUE** : Si vous avez seulement une version en rack du système, sautez cette procédure et passez directement à la section "Installation du système dans le rack".

 **ATTENTION** : Le système peut peser jusqu'à 43 kilogrammes (95 livres) une fois chargé complètement. Pour éviter toute blessure, ne tentez pas de le déplacer seul.

La version rack et la version tour sont représentées à la Figure 2-7.

**Figure 2-7. Version tour et rack**



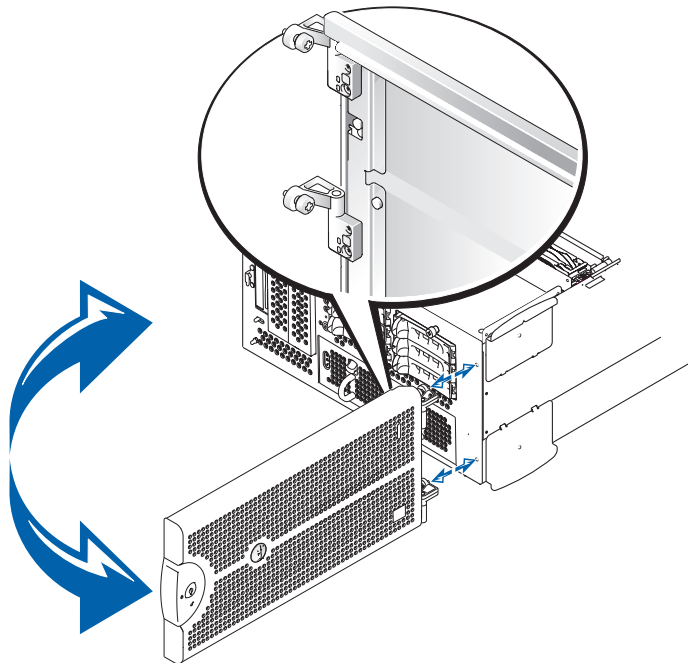
Le kit de conversion de tour en rack comprend les éléments suivants :

- Un panneau avant pour rack avec des poignées de rack et des vis à molette
- Un cache pour version rack, avec verrou, clefs et matériel de fixation
- Six vis à épaulement 10-32
- Six rondelles plates n°10

## Retrait du cache, des pieds, du capot, du panneau latéral et du panneau avant

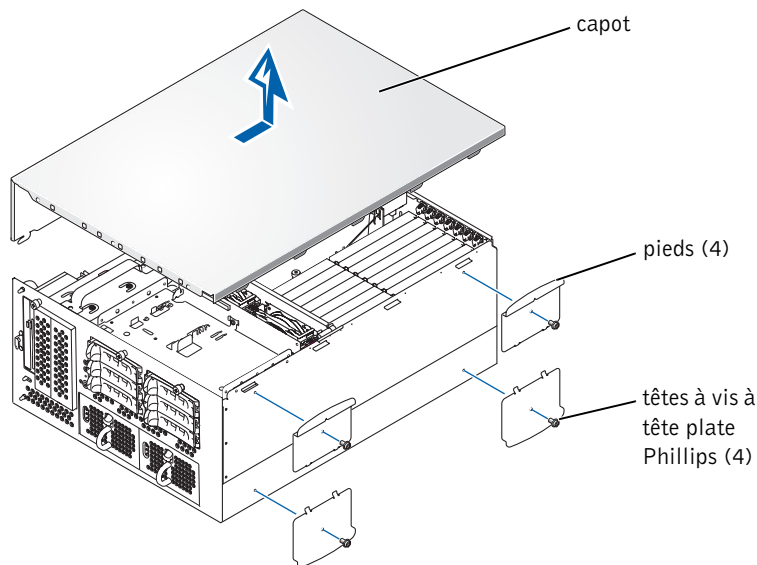
- 1 Pour retirer le panneau, le système étant couché sur le côté gauche, procédez comme suit :
  - a Déverrouillez le cache avant à l'aide de la clé du système.
  - b Dégagez le cache en l'écartant jusqu'à ce qu'il soit perpendiculaire au système.
  - c A l'aide d'un tournevis Phillips n° 2, desserrez les vis à molette pour dégager le cache et placez-le à part (voir la Figure 2-8).

**Figure 2-8. Retrait du cache avant**



- 2 Retirez les quatre pieds métalliques du système :
  - a A l'aide d'un tournevis Phillips n° 2 ou d'une clé à pipe 1/4, retirez la vis assujettissant chaque pied métallique.
  - b Tirez sur chaque pied pour l'enlever du châssis (voir la Figure 2-9).
- 3 Retirez le capot du système et mettez-le de côté (voir la Figure 2-9) :
  - a Desserrez les trois vis à molettes à l'avant du système.

**Figure 2-9. Retrait des pieds et du capot du système**



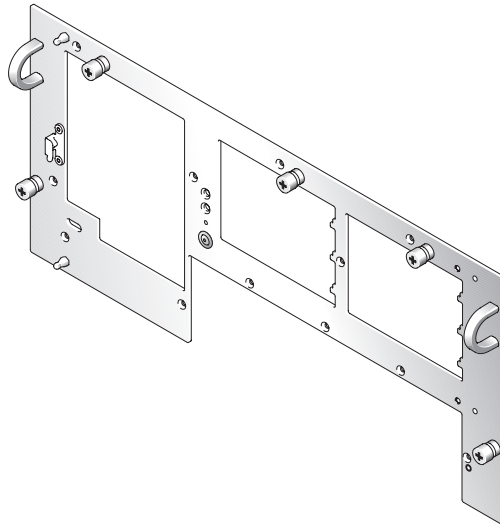
- b** Faites coulisser le capot du système vers l'arrière et saisissez-le par ses deux extrémités.
- c** Retirez le capot doucement en le soulevant et mettez-le de côté.
- 4** Retirez les panneaux décoratifs sur le côté gauche du châssis :
  - a** Retirez les sept vis T-10 du rebord supérieur, gauche, et inférieur du panneau avant. Ces sept vis assujettissent le panneau décoratif gauche au panneau avant et au châssis.
  - b** Faites coulisser le panneau décoratif d'environ 1,27 cm (0,5 pouce) vers l'arrière du châssis et soulevez-le pour le retirer.
- 5** Retirez les 12 vis T-10 Torx restantes qui fixent le panneau avant de la tour au châssis.
- 6** Soulevez le panneau avant pour le retirer et mettez-le de côté.

### **Installation du panneau avant du rack et du cache**

- 1** Installez le panneau avant du rack sur le châssis en le fixant avec 13 des vis Torx que vous avez retirées lors de la procédure précédente (voir la Figure 2-10).

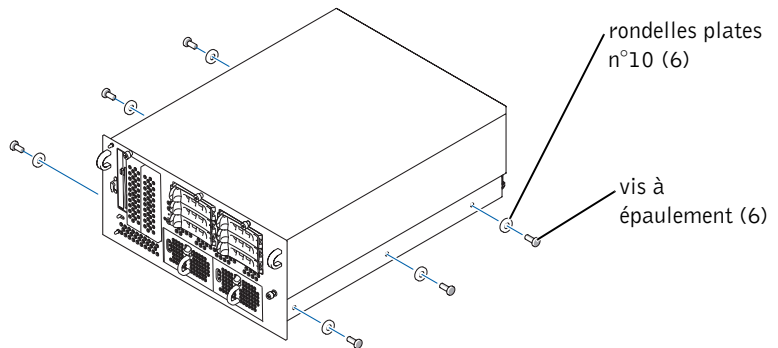
Vous remarquerez que le panneau avant du rack est plus large que le panneau avant de la tour et qu'il est équipé de poignées et de vis à molette pour les rails verticaux avant.

**Figure 2-10. Installation du panneau avant du rack**



- 2 Installez trois des vis à épaulement 10-32 et trois rondelles plates n°10 de chaque côté du châssis (voir la Figure 2-11).

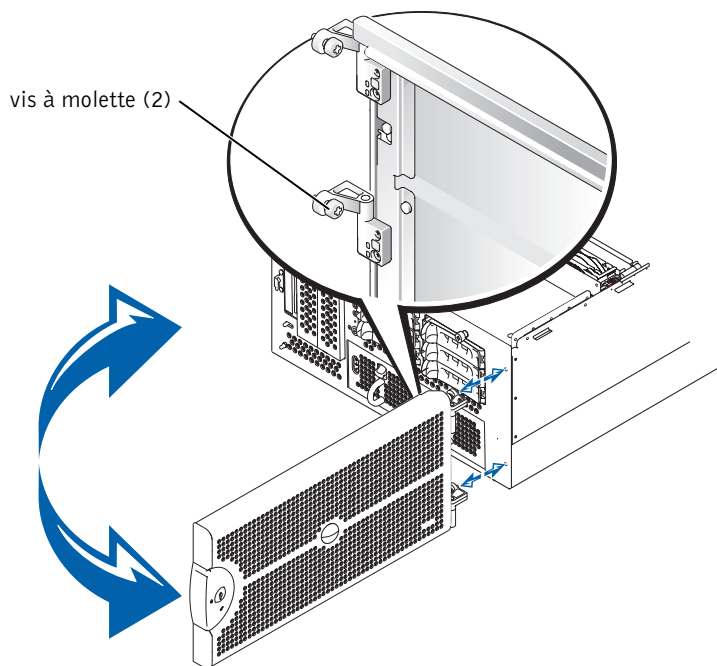
**Figure 2-11. Installation des vis à épaulement et des rondelles**



- 3 Installez le nouveau cache de rack :
  - a Positionnez le cache de façon à ce que les vis à molette de sa charnière articulée correspondent avec les trous du panneau avant du système (voir la Figure 2-12).
  - b Fixez les vis à molette au panneau avant à l'aide d'un tournevis Phillips.



**Figure 2-12. Installation du panneau de rack**



- 4 Réinstallez tous les disques durs dans leurs connecteurs dans la baie d'unité, si vous les avez retirés pour alléger le châssis (reportez-vous au *Guide d'installation et de dépannage* pour savoir comment procéder).
- 5 Installez les modules d'alimentation et le plateau du microprocesseur, si vous les avez retirés pour alléger le châssis.
- 6 Fermez le cache.
- 7 Réinstallez le capot du système.

## Installation du système dans le rack

**⚠ ATTENTION : Si vous installez plusieurs systèmes, installez le premier système le plus bas possible dans le rack.**

**⚠ ATTENTION : Ne retirez jamais plus d'un composant du rack en même temps.**

- 1 Tirez à fond les deux rails coulissants intérieurs hors du rack jusqu'à ce qu'ils soient bloqués.

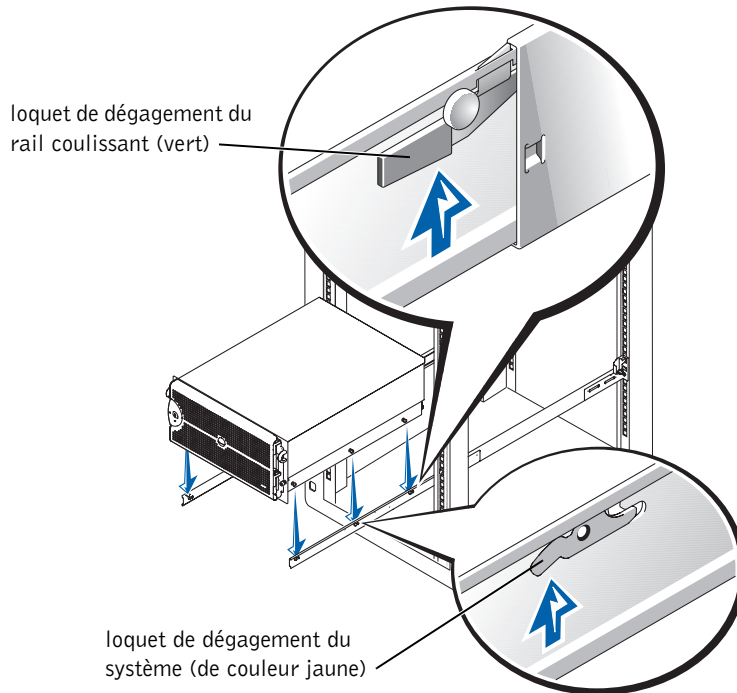
**⚠ ATTENTION : En raison de la taille et du poids du système, ne tentez jamais de l'installer seul dans les rails coulissants.**

- 2 Soulevez le système et placez-le dans la bonne position.

L'opération doit être réalisée par au moins deux personnes. L'une d'entre elles doit placer une main sur la partie inférieure avant du système, l'autre doit placer sa main sur la partie supérieure arrière.

- 3 Inclinez l'avant du système vers le haut tout en faisant correspondre les vis à épaulement arrière, sur les côtés du système, avec les fentes arrière des rails coulissants (voir la Figure 2-13).

**Figure 2-13. Installation du système dans le rack**



- 4 Engagez la vis à épaulement arrière dans la fente située juste derrière le loquet vert de dégagement du rail coulissant, puis engagez la vis centrale et celle de l'avant.
- 5 Poussez le système vers l'intérieur sur les rails coulissants jusqu'à ce que le loquet jaune de dégagement du système s'enclenche, verrouillant ainsi les rails coulissants sur la vis à épaulement centrale du système (voir la Figure 2-13).
- 6 Exercez une pression vers le haut sur les loquets verts de dégagement et poussez le système dans le rack.
- 7 Resserrez les vis à molette sur le panneau avant du rack.

# Installation du bras de maintien des câbles

Cette procédure s'exécute en deux phases. Vous devez d'abord installer le chemin de câbles à l'arrière du châssis du système. Vous pouvez installer le bras de maintien des câbles de chaque côté du chemin de câbles.

## Installation du chemin de câbles

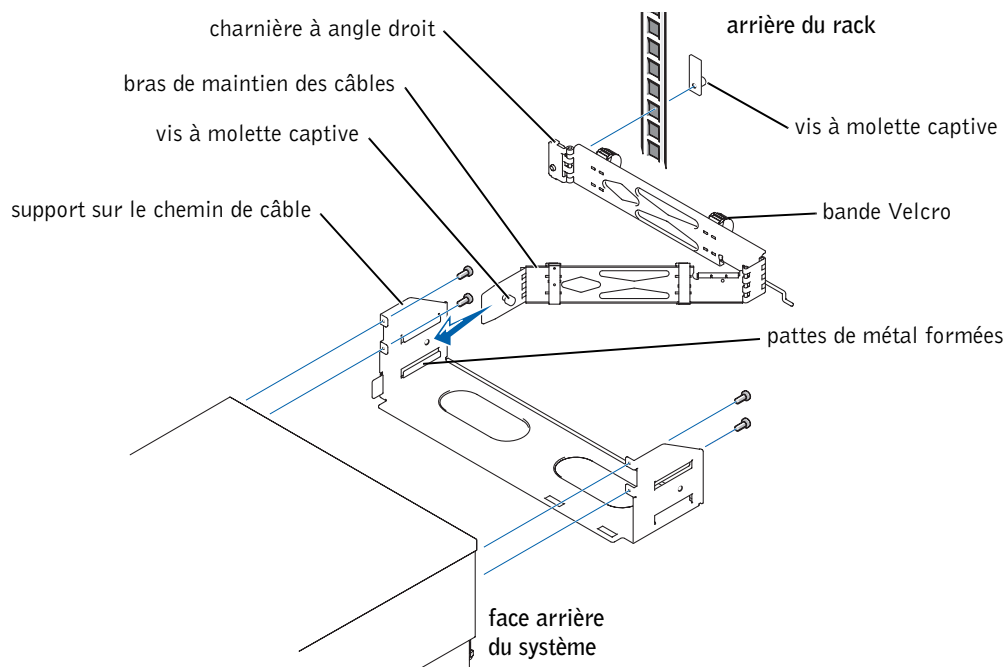
Attachez le chemin de câble au châssis du système à l'aide de quatre vis Phillips à tête plate 6-32 x 0,25 pouces (voir la Figure 2-14).

**⚠ ATTENTION : Le chemin de câbles ne peut pas supporter le poids du système. Ne touchez pas le chemin de câble lorsque vous soulevez le système. Soulevez le système uniquement par les bords du châssis.**

## Installation du bras de maintien des câbles


- 1 En vous plaçant face à l'arrière de l'armoire rack, fixez la charnière à angle droit sur le bras de maintien des câbles sur le rail vertical arrière de l'armoire, puis assujettissez-la à l'aide des vis à molette captives (voir la Figure 2-14). La charnière s'engage dans les trous de montage carrés du rail vertical.

**Figure 2-14. Installation du bras de maintien des câbles**



- 2 Faites coulisser l'extrémité non fixée du bras de maintien des câbles dans le logement à encoches formé par les pattes métalliques sur le côté du chemin de câble.
- 3 Fixez le bras de maintien des câbles dans son logement à encoches à l'aide de la vis à molette captive.

## Routage des câbles

- 1 Branchez les câbles d'E/S et d'alimentation sur les connecteurs à l'arrière du système.  
Pour plus d'informations, reportez-vous au *Guide d'installation et de dépannage* et au *Guide de l'utilisateur du système*.
- 2 Fixez tous les câbles sur le bras de maintien des câbles.
  - a Desserrez les vis à molette fixant le panneau avant du système au rail vertical avant.
  - b Faites glisser le système vers l'avant en position étendue maximale.
  - c Placez les câbles le long du bras de maintien en leur laissant du jeu au niveau des charnières, puis fixez les sur le bras à l'aide des bandes Velcro placées sur celui-ci (voir la Figure 2-14).
- 3 Faites glisser le système dans et hors du rack pour vérifier que les câbles sont installés correctement et ne se bloquent pas, ne se tendent pas et ne se coincent pas lors du déplacement du bras de maintien des câbles.  
 **REMARQUE :** Lorsque vous tirez le système dans sa position la plus étendue, les rails coulissants vont se bloquer dans cette position. Pour replacer le système dans le rack, appuyez sur le loquet de dégagement coulissant vert situé sur le côté de chaque rail coulissant pour ouvrir les verrous, puis faites glisser le système complètement en arrière dans le rack.
- 4 Revissez les vis à molette que vous avez desserrées à l'étape 2a.

## Remise en place des portes du rack

Pour savoir comment remettre en place les portes du rack, reportez-vous à la documentation fournie avec les armoires en rack 24U et 42U.

L'installation de votre système dans le rack est terminée.

# Index

## C

- contenu
  - Kit RapidRails, 2-4
  - Kit VersaRails, 2-5
- contenu du kit
  - RapidRails, 2-4
  - VersaRails, 2-6
- Contenu du kit RapidRails, 2-4
- Contenu du kit VersaRails
  - liste, 2-5

## I

- installation
  - bras de maintien des câbles, 2-17
  - kit de conversion de tour en rack, 2-11
  - panneau avant du rack, 2-13
  - système, 2-14
  - système dans le rack, 2-15
- installation dans le rack
  - système, 2-11
- installation du système
  - rack à quatre montants, 2-11
- instructions de sécurité, 2-1

## M

- marquage du rack, 2-7

## O

- outils et fournitures
  - kits à quatre montants, 2-4

## P

- pieds stabilisateurs du rack, 2-3
- portes
  - réinstallation, 2-18
  - retrait, 2-6
- précautions de montage des racks, 2-3

## R

- rack
  - marquage, 2-7
- routage des câbles, 2-18

## S

- système
  - installation dans le rack, 2-14

## V

- VersaRails
  - contenu du kit, 2-5, 2-6



Dell™-Systeme

# Rack- Installationsanleitung



# Hinweis, Bitte Beachten und Vorsicht



**HINWEIS:** Ein HINWEIS enthält wichtige Informationen, mit deren Hilfe Sie Ihren Computer besser nutzen können.



**BITTE BEACHTEN:** BITTE BEACHTEN weist auf eine mögliche Beschädigung von Hardware oder den Verlust von Daten hin und beschreibt, wie dieses Problem vermieden werden kann.



**VORSICHT: VORSICHT weist darauf hin, dass Gefahr für einen Sachschaden, Personenschaden oder Lebensgefahr besteht.**

---

**Die in diesem Dokument enthaltenen Informationen können ohne Vorankündigung geändert werden.  
© 2002 Dell Computer Corporation. Alle Rechte vorbehalten.**

Eine Reproduktion dieses Dokuments in jeglicher Form ist nur mit vorheriger schriftlicher Genehmigung der Dell Computer Corporation erlaubt.

Die in diesem Text verwendeten Warenzeichen: *Dell*, das *DELL*-Logo, *RapidRails* und *VersaRails* sind Warenzeichen der Dell Computer Corporation.

Andere in diesem Dokument möglicherweise verwendete Warenzeichen und Handelsbezeichnungen sind unter Umständen Marken und Namen der entsprechenden Firmen oder ihrer Produkte. Die Dell Computer Corporation erhebt keinen Anspruch auf Warenzeichen oder Handelsnamen mit Ausnahme ihrer eigenen.

**April 2002 P/N 5J802 Rev. A00**



# Inhalt

<b>Sicherheitshinweise</b> .....	<b>3-1</b>
<b>Installationsanleitung</b> .....	<b>3-2</b>
Bevor Sie beginnen .....	3-3
Wichtige Sicherheitsinformationen .....	3-3
Rack-Stabilisatoren .....	3-3
Installationsarbeiten .....	3-4
Empfohlene Werkzeuge und Zubehör .....	3-4
Inhalt des RapidRails Rack-Kits .....	3-4
Inhalt des VersaRails-Rack-Kits .....	3-5
<b>Entfernen der Rack-Türen</b> .....	<b>3-6</b>
<b>Markieren des Racks</b> .....	<b>3-7</b>
<b>Befestigen der RapidRails-Gleitschienen</b> .....	<b>3-9</b>
<b>Befestigen der VersaRails-Gleitschienen</b> .....	<b>3-10</b>
<b>Installieren des Tower-nach-Rack-Kits</b> .....	<b>3-12</b>
Entfernen von Blende, Füßen Abdeckung, Seitenteil und Frontplatte .....	3-13
Installieren der Rack-Frontplatte und –Blende .....	3-14
<b>Installieren des Systems im Rack</b> .....	<b>3-16</b>
<b>Einbau des Kabelarms</b> .....	<b>3-18</b>
Installation der Kabelführung .....	3-18
Befestigen des Kabelarms .....	3-18
<b>Verlegen der Kabel</b> .....	<b>3-19</b>
<b>Einsetzen der Rack-Türen</b> .....	<b>3-20</b>

# Index

## Abbildungen

Abbildung 3-1.	Inhalt des RapidRails Rack-Kits . . . . .	3-5
Abbildung 3-2.	Inhalt des VersaRails-Rack-Kits . . . . .	3-6
Abbildung 3-3.	Eine Rack-Einheit . . . . .	3-7
Abbildung 3-4.	Markieren der vertikalen Schienen. . . . .	3-8
Abbildung 3-5.	Befestigen der RapidRails-Gleitschienen. . . . .	3-10
Abbildung 3-6.	Installation der VersaRails-Schienensätze . . . . .	3-11
Abbildung 3-7.	Rack- und Tower-System . . . . .	3-12
Abbildung 3-8.	Abnehmen der Frontblende . . . . .	3-13
Abbildung 3-9.	Entfernen der Füße und Systemabdeckung . . . . .	3-14
Abbildung 3-10.	Installieren der Rack-Frontplatte . . . . .	3-15
Abbildung 3-11.	Befestigen der Ansatzschrauben und Unterlegscheiben. . . . .	3-15
Abbildung 3-12.	Installieren der Rack-Blende . . . . .	3-16
Abbildung 3-13.	Installation des Systems im Rack. . . . .	3-17
Abbildung 3-14.	Einbau des Kabelarms. . . . .	3-19


# Sicherheitshinweise

Beachten Sie die nachfolgenden Sicherheitshinweise, um Ihre eigene Sicherheit zu gewährleisten und Schäden an Ihrem Server, Speichersystem oder Ihren Geräten zu vermeiden. Vollständige Informationen über die Sicherheitsanforderungen und Vorschriften finden Sie in Ihren *Systeminformationen*. Die Garantieinformationen befinden sich entweder dort oder in einem eigenen Dokument.


## **Vorsichtsmaßnahmen für Rack-montierbare Produkte**

Um die Stabilität und Sicherheit des Racks zu gewährleisten, beachten Sie bitte die folgenden Vorsichtsmaßnahmen. Spezielle Warnungen und/oder Sicherheitshinweise und Prozeduren finden Sie auch in der zum System gehörenden Dokumentation zur Rack-Installation.


Server, Speichersysteme und Geräte werden als Komponenten in einem Rack betrachtet. Der Begriff „Komponente“ kann also einen Server, ein Speichersystem oder ein Gerät sowie verschiedene Peripheriegeräte oder Zusatzhardware bezeichnen.

 **VORSICHT: Werden Systemkomponenten in einem Rack installiert, an dem die vorderen und seitlichen Stabilisatoren fehlen, kann das Rack umkippen, was unter Umständen schwere Verletzungen zur Folge haben kann. Installieren Sie daher immer zuerst die Stabilisatoren, bevor Sie Komponenten im Rack installieren.**

 **VORSICHT: Ziehen Sie nach der Installation von Systemen/Komponenten in einem Rack niemals mehr als eine Komponente gleichzeitig auf ihren Gleitschienen aus dem Rack. Durch das Gewicht von mehr als einer Komponente kann das Rack umkippen und Verletzungen verursachen.**

 **HINWEIS:** Ihr System ist als frei stehende Einheit und für die Verwendung als Komponente in Gestellschränken sicherheitszertifiziert, wobei das Customer Rack Kit eingesetzt werden muss, wenn sowohl der Gestellschrank als auch das Rack-Kit für Ihr System entwickelt wurden. Die Installation Ihres Systems und Rack-Kits in anderen Gestellschränken wurde von keiner Prüfbehörde untersucht. Die Eignung der endgültigen Kombination von System und Rack-Kit für den Einsatz in einem Gestellschrank müssen Sie in diesem Fall selbst durch eine zertifizierte Prüfbehörde untersuchen lassen. Der Hersteller lehnt jede Haftung und Gewährleistung für solche Kombinationen ab.

- System-Rack-Kits müssen von geschulten Servicetechnikern in einem genehmigten Rack installiert werden. Wenn Sie das Kit in einem anderen Rack installieren, vergewissern Sie sich, dass das Rack die Spezifikationen erfüllt.

 **VORSICHT: Bewegen Sie große Racks nicht alleine. Wegen der Höhe und des Gewichts des Racks sollte diese Aufgabe von mindestens zwei Personen gemeinsam durchgeführt werden.**

- Bevor Sie an einem Rack arbeiten, vergewissern Sie sich, dass die Stabilisatoren sicher am Rack befestigt sind, fest auf dem Boden aufliegen und dass das gesamte Gewicht des Racks auf dem Boden lastet. Installieren Sie an einem einzelnen Rack vordere und seitliche Stabilisatoren, an mehreren miteinander verbundenen Racks vordere Stabilisatoren, bevor Sie Arbeiten an dem Rack durchführen.
- Beladen Sie das Rack immer von unten nach oben und bauen Sie die schwerste Komponente zuerst in das Rack ein.
- Vergewissern Sie sich, dass das Rack eben und stabil steht, bevor Sie eine Komponente aus dem Rack ziehen.
- Achten Sie auf Ihre Finger, wenn Sie auf die Schienenverriegelung der Komponente drücken und eine Komponente in das Rack schieben oder aus dem Rack ziehen: Quetschgefahr!
- Wenn Sie eine Komponente in das Rack eingesetzt haben, ziehen Sie die Schienen vorsichtig bis in die Verriegelungsposition heraus und schieben Sie dann die Komponente in das Rack.
- Überlasten Sie nicht den Versorgungsstromkreis für das Rack. Die Gesamtlast des Racks sollte 80 Prozent der Nennbelastung des Stromkreises nicht überschreiten.
- Überprüfen Sie, ob eine ausreichende Luftzufuhr zu den Komponenten im Rack gewährleistet ist.
- Treten Sie nicht auf ein System / eine Komponente oder stellen sich darauf, wenn Sie an anderen Systemen / Komponenten in einem Rack Arbeiten durchführen.

## Installationsanleitung

Diese Installationsanleitung enthält Anweisungen für geschulte Servicetechniker zur Installation eines oder mehrerer Systeme in einem offenen Relaisgestell oder einem Gestellschrank. Das Dell™ RapidRails™ Rack-Kit kann ohne Werkzeuge in allen Gestellschränken des Herstellers installiert werden und das VersaRails™ Rack-Kit in den meisten Standardgestellschränken. Die Installation der RapidRails und VersaRails Rack-Kits erfolgt auf ähnliche Weise. Für jedes im Rack installierte System wird ein Rack-Kit benötigt.



**VORSICHT: Installieren Sie keine Rack-Kit-Komponenten, die für andere Systeme vorgesehen sind. Verwenden Sie ausschließlich das für Ihr Dell-System konzipierte Rack-Kit. Wenn Sie das Rack-Kit für ein anderes System verwenden, könnte das System beschädigt und Personen verletzt werden.**



**HINWEIS:** Wenn Sie ein Dell-Tower-System besitzen, müssen Sie ein Tower-nach-Rack-Kit installieren. Anleitungen zur Installation dieses Kits finden Sie in diesem Dokument.

Das RapidRails-Rack-Kit kann in einem beliebigen Dell-Gestellschrank und in den meisten Standardgestellschränken installiert werden.

**➔ BITTE BEACHTEN:** Das VersaRails Rack-Kit muss von geschulten Servicetechnikern in einem Rack installiert werden, das den Spezifikationen des American National Standards Institute (ANSI) / Electronic Industries Association (EIA) Standard ANSI/EIA-310-D-92, der International Electrotechnical Commission (IEC) 297 und der Deutschen Industrie Norm (DIN) 41494 entspricht. Für jedes in einem Rack installierte System wird ein eigenes Rack-Kit benötigt.

## Bevor Sie beginnen

Lesen Sie vor der Installation Ihres Systems im Rack sorgfältig die Sicherheitshinweise am Anfang dieser Anleitung sowie die „Sicherheitshinweise“ im Dokument *Systeminformation*.

**⚠ VORSICHT:** Wenn Sie mehrere Systeme in einem Rack installieren, führen Sie immer zuerst sämtliche Installationsschritte für das gerade installierte System durch, bevor Sie mit dem nächsten System beginnen.

**⚠ VORSICHT:** Gestellschränke können sehr schwer sein und leicht auf ihren Rollen wegrollen. Die Schränke haben keine Bremsen. Bewegen Sie den Gestellschrank nur mit großer Vorsicht. Fahren Sie die höhenverstellbaren Füße ein, wenn Sie den Gestellschrank umstellen. Vermeiden Sie lange bzw. steile Neigungen oder Rampen, auf denen Sie die Kontrolle über den Gestellschrank verlieren könnten. Fahren Sie die höhenverstellbaren Füße aus, damit der Gestellschrank abgestützt wird und nicht wegrollen kann.

## Wichtige Sicherheitsinformationen

Beachten Sie bei der Installation Ihres Systems im Rack die Sicherheitsmaßnahmen in den folgenden Unterabschnitten.

**⚠ VORSICHT:** Befolgen Sie die in diesem Dokument angegebenen Prozeduren genau, damit Sie selbst und Ihre Mitarbeiter nicht gefährdet werden. Ihr System kann sehr groß und schwer sein. Sie sollten die Installation sorgfältig vorbereiten und planen, um Verletzungen zu vermeiden. Dies gilt besonders, wenn Systeme weiter oben im Rack installiert werden.

## Rack-Stabilisatoren

**⚠ VORSICHT:** Werden Systeme in einem Rack installiert, an dem die vorderen und seitlichen Stabilisatoren fehlen, kann das Rack umkippen, was unter Umständen schwere Verletzungen nach sich ziehen kann. Befestigen Sie daher immer zuerst die Stabilisatoren, bevor Sie Komponenten im Rack installieren.

**⚠ VORSICHT:** Wenn Sie Systeme in einem Rack installiert haben, ziehen Sie niemals mehr als ein System gleichzeitig auf den Gleitschienen aus dem Rack. Durch das Gewicht von mehr als einem herausgezogenen System kann das Rack umkippen, was Verletzungen verursachen kann.

Die Stabilisatoren verhindern, dass das Rack umkippt, wenn ein System oder eine andere Komponente auf den Gleitschienen vollständig aus dem Rack gezogen wird. Anleitungen zur Installation und Befestigung der Stabilisatoren finden Sie in der mit dem Gestellschrank gelieferten Dokumentation.

## **Installationsarbeiten**

Bei der Installation eines Rack-Kits sind die Arbeitsschritte in folgender Reihenfolge auszuführen:

- 1** Entfernen der Rack-Türen
- 2** Markieren des Racks
- 3** Installation der Schienensätze im Rack:
  - Installation der RapidRails
  - Installation der VersaRails
- 4** Installation des Systems im Rack
- 5** Einbau des Kabelarms
- 6** Verlegen der Kabel
- 7** Wiederanbringen der Rack-Türen

## **Empfohlene Werkzeuge und Zubehör**

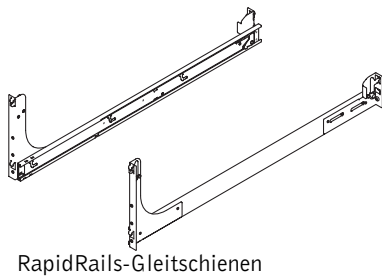
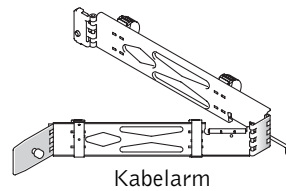
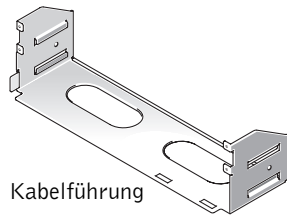
- Einen Kreuzschlitz-Schraubendreher Nr. 2
- Einen Torx T-10-Schraubendreher (bei der Installation des Tower-nach-Rack-Kits)
- Kreppband oder einen Filzstift zur Markierung der verwendeten Montagelöcher
- Einen Maßstab oder ein Massband

## **Inhalt des RapidRails Rack-Kits**

Das RapidRails Rack-Kit enthält folgende Teile (siehe Abbildung 3-1):

- Ein Paar RapidRails-Gleitschienen
- Ein Kabelarm
- Eine Kabelführung
- Vier 6-32 x 0,25-Zoll Sechskant-Kreuzschlitzschrauben

### Abbildung 3-1. Inhalt des RapidRails Rack-Kits



6-32 x 0,25-Zoll-Sechskant-Kreuzschlitzschrauben (4)

### Inhalt des VersaRails-Rack-Kits

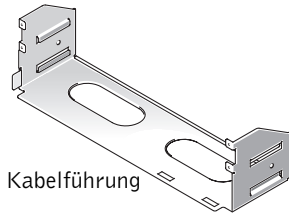
Das VersaRails-Rack-Kit enthält folgende Teile (siehe Abbildung 3-2):

- Ein Paar VersaRails-Gleitschienen
- Ein Kabelarm
- Eine Kabelführung
- Zehn 10-32 x 0,5-Zoll Kreuzschlitz-Bundschrauben
- Vier 6-32 x 0,25-Zoll Sechskant-Kreuzschlitzschrauben

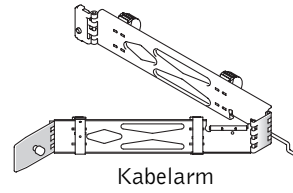


**HINWEIS:** Die in den Abbildungen und Prozeduren genannten nichtmetrischen Schrauben werden nach ihrer Größe und der Anzahl der Windungen pro Zoll bezeichnet. Beispielsweise wird eine Kreuzschlitzschraube Nr. 10 mit 32 Windungen pro Zoll als 10-32-Schraube bezeichnet.

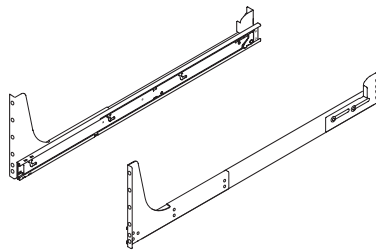
**Abbildung 3-2. Inhalt des VersaRails-Rack-Kits**



Kabelführung



Kabelarm



VersaRails-Gleitschienen





6-32 x 0,25-Zoll-Sechskant-Kreuzschlitzschrauben (4)



10-32 x 0,5-Zoll-Kreuzschlitzschrauben mit Flanschkopf (10)

## Entfernen der Rack-Türen

Siehe Vorgehensweise zum Entfernen der Türen in der Dokumentation Ihres Gestellschranks.

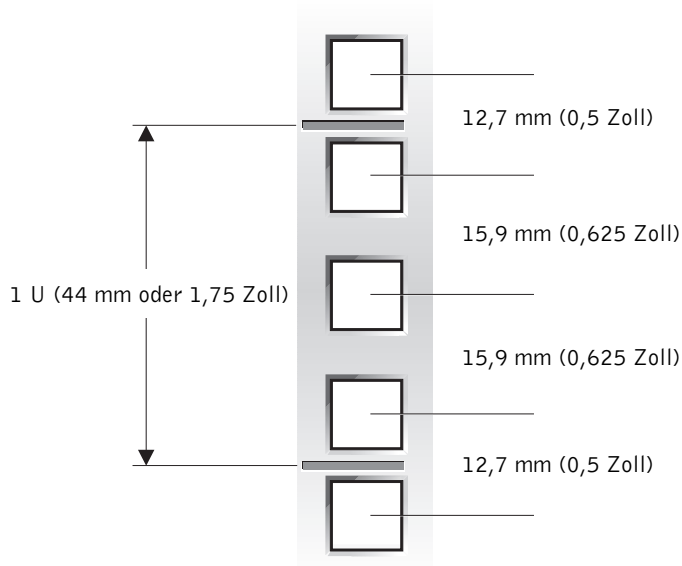
-  **VORSICHT:** Die Gestellschrantüren sind sehr groß und schwer, also sollten Sie sie niemals ohne fremde Hilfe abnehmen oder einbauen.
-  **VORSICHT:** Stellen Sie die Türen an einen Ort, wo niemand verletzt wird, wenn die Türen versehentlich umfallen.



# Markieren des Racks

Zwischen jedem System, das Sie im Rack installieren müssen Sie 5 U (8,75 Zoll) vertikalen Abstand lassen (siehe Abbildung 3-3).

**Abbildung 3-3. Eine Rack-Einheit**



**⚠ VORSICHT: Wenn Sie mehr als ein System installieren, installieren Sie die Gleitschienen so, dass das erste System in der untersten möglichen Position im Rack installiert ist.**

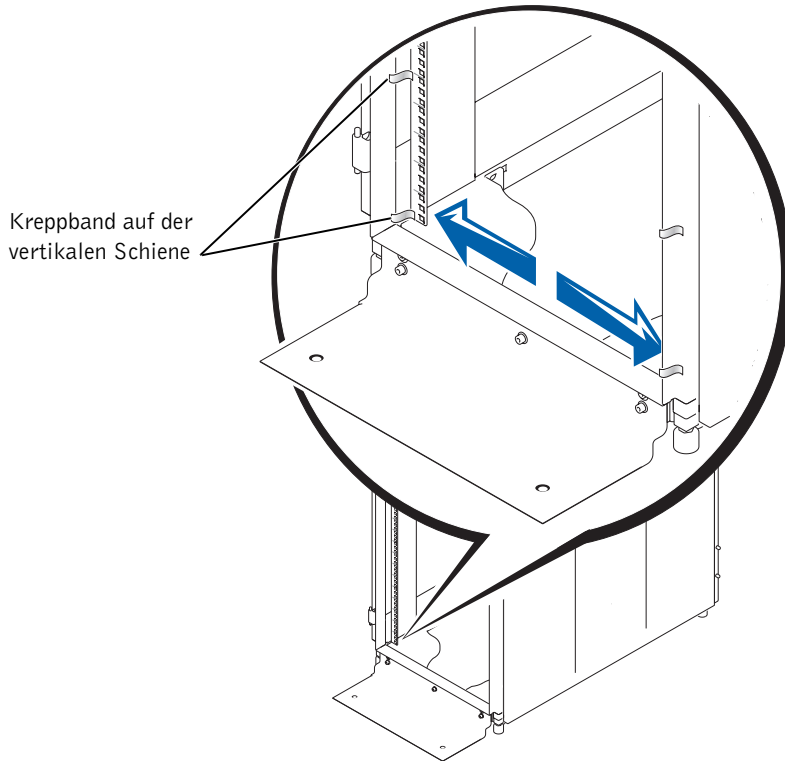
Um das Rack zu markieren, gehen Sie wie folgt vor:

- 1 Bringen Sie auf den vorderen vertikalen Schienen des Racks eine Markierung an der Stelle an, an der sich die Unterseite des Systems befinden soll, das Sie in den Gestellschrank einbauen möchten.

Die Unterkante jeder 1-U-Einheit befindet sich in der Mitte des schmalsten Metallstücks zwischen den Löchern (bei einigen Gestellschränken mit einer horizontalen Linie gekennzeichnet; siehe Abbildung 3-4).

Bringen Sie etwa 22,23 cm (8,75 Zoll) über Ihrer Originalmarkierung eine Markierung an (oder zählen Sie in einem Rack, das dem EIA-310-Standard entspricht, fünfzehn Löcher nach oben). Markieren Sie die vorderen vertikalen Schienen mit einem Filzstift oder einem Stück Kreppband (falls Sie die Löcher gezählt haben, bringen Sie direkt über dem oberen Loch eine Markierung an). Die Markierung bzw. das Kreppband zeigt die spätere Position der Oberkante des Systems an den vertikalen Schienen (siehe Abbildung 3-4).

**Abbildung 3-4. Markieren der vertikalen Schienen**

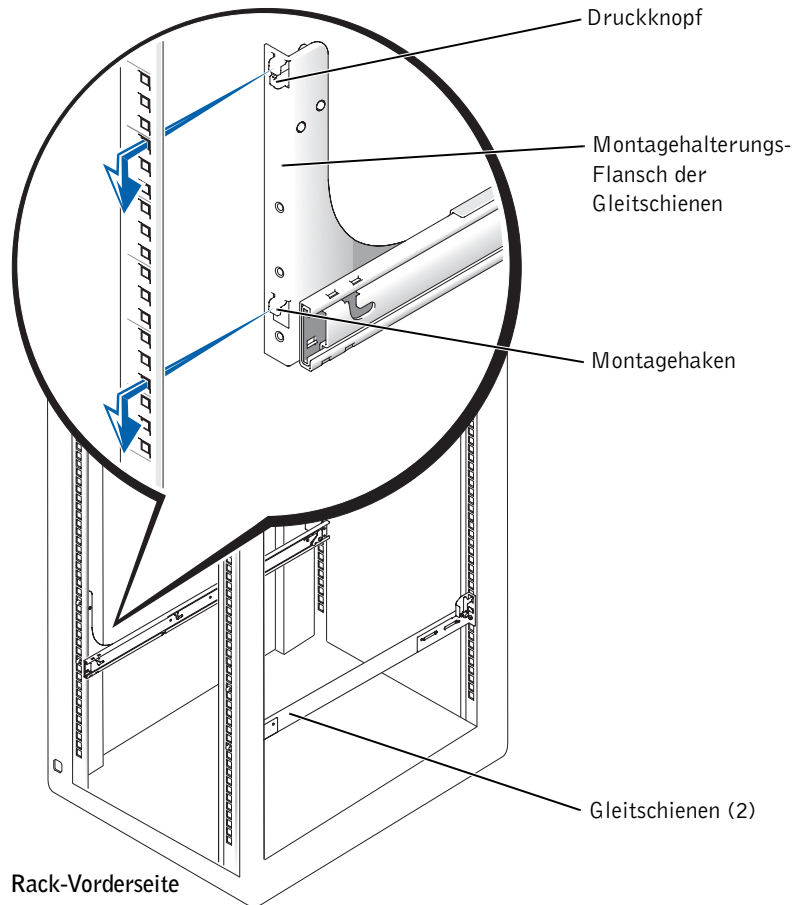


# Befestigen der RapidRails-Gleitschienen

- 1** Setzen Sie eine der RapidRails-Gleitschienen so an der Vorderseite des Gestellschranks an, dass der Montagehalterungsflansch zwischen die Markierungen oder das Kreppband an dem Rack zu liegen kommt (siehe Abbildung 3-5).

Der obere Montagehaken am vorderen Montagehalterungsflansch des Schienensatzes sollte in das obere Loch zwischen Ihren Markierungen auf den vertikalen Schienen eingreifen.

- 2** Schieben Sie die Gleitschienen nach vorne, bis der obere Montagehaken in das rechteckige Loch unter der oberen Markierung oder dem Kreppband an der vertikalen Schiene einrastet. Drücken Sie danach auf den Flansch der Montagehalterung, bis die Montagehaken in den rechteckigen Löchern einrasten, der Druckknopf herauspringt und ein Klicken zu hören ist (siehe Abbildung 3-5).
- 3** Ziehen Sie an der Rückseite des Gestellschranks den Flansch der Montagehalterung nach hinten, bis der obere Montagehaken an dem zugehörigen Loch positioniert ist. Drücken Sie dann den Montagehalterungsflansch nach unten, bis die Montagehaken in die rechteckigen Löcher einrasten, der Druckknopf herauspringt und ein Klicken zu hören ist.
- 4** Wiederholen Sie Schritt 1 bis 3 für die Gleitschienen auf der anderen Seite des Racks.
- 5** Achten Sie darauf, dass die Schienen auf jeder Rack-Seite in der gleichen Höhe an den vertikalen Schienen befestigt werden.

**Abbildung 3-5. Befestigen der RapidRails-Gleitschienen**

## Befestigen der VersaRails-Gleitschienen

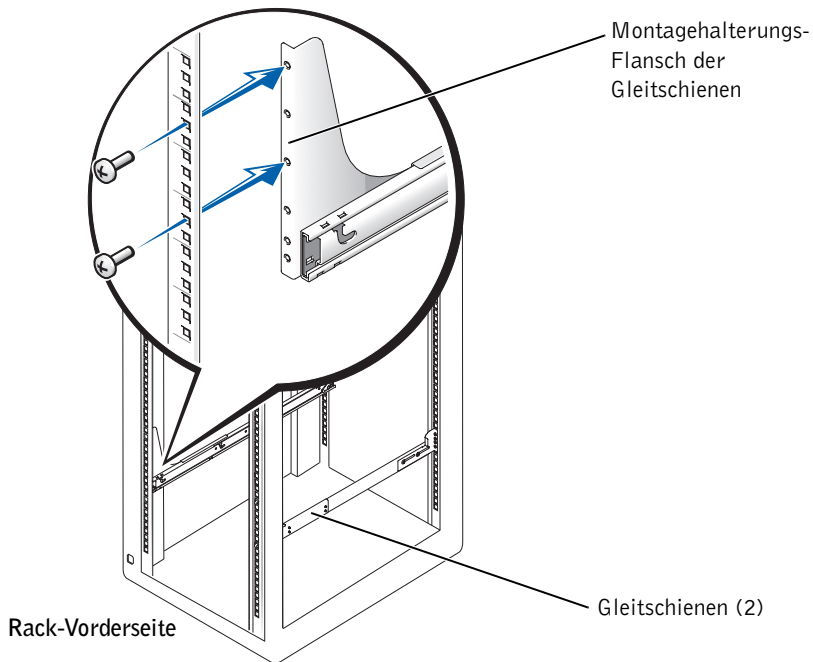
- 1 Setzen Sie eine VersaRails-Gleitschiene so an der Vorderseite des Gestellschranks an, dass der zugehörige Montagehaltungsflansch zwischen die Markierungen / Kreppbänder (oder an die Markierung mit der richtigen Zahl) am Rack passt (siehe Abbildung 3-6).

Die vier Löcher an der Vorderseite der Montagehalterung sollten mit vier Löchern zwischen Ihren Markierungen an der vorderen vertikalen Schiene übereinstimmen.

- 2 Setzen Sie je eine 10-32 x 0,5 Zoll (1,27 cm) Kreuzschlitz-Bundschraube im oberen und dritten Loch des Montageflanschs ein (siehe Abbildung 3-6).

- 3 Ziehen Sie den Montagehalterungsflansch auf der Gestellschrank-Rückseite nach hinten, bis seine Montagelöcher mit den rechteckigen Löchern auf der hinteren vertikalen Schiene übereinstimmen.
- 4 Befestigen Sie die Gleitschiene durch je eine 10-32 x 0,5 Zoll (1,27 cm) Kreuzschlitz-Bundschraube im oberen und dritten Loch des Montageflanschs an der hinteren vertikalen Schiene.
- 5 Wiederholen Sie Schritt 1 bis 4 für die Gleitschienen auf der anderen Seite des Racks.
- 6 Achten Sie darauf, dass die Gleitschienen auf jeder Rack-Seite jeweils in der gleichen Höhe der vertikalen Schienen befestigt werden.

**Abbildung 3-6. Installation der VersaRails-Schienensätze**

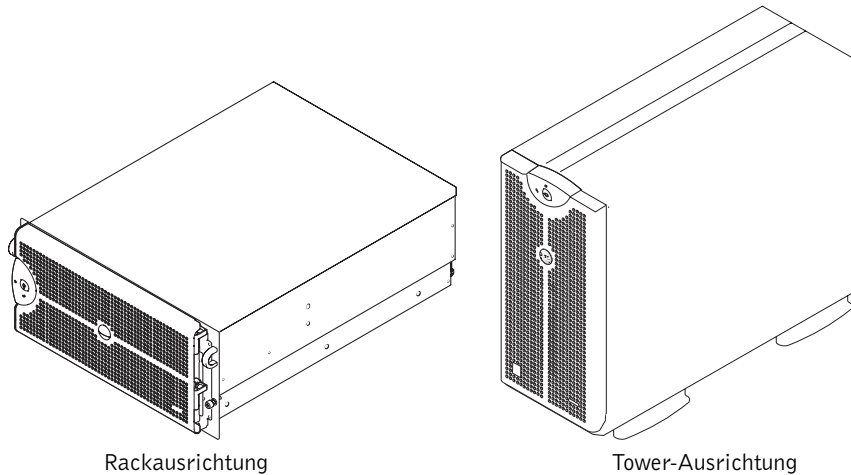


## Installieren des Tower-nach-Rack-Kits

- HINWEIS:** Falls Sie das Tower-nach-Rack-Konvertier-Kit bestellt haben, installieren Sie es bitte jetzt.
- HINWEIS:** Wenn Ihre Systemversion nur für Racks vorgesehen ist, können Sie diese Prozedur überspringen und bei „Installieren des Systems im Rack“ weiterlesen.
- VORSICHT:** Das System kann bei voller Belastung bis zu **43 Kilogramm (kg)** wiegen. Um Verletzungen zu vermeiden, versuchen Sie nicht, das System allein zu bewegen.

Die Rack-Version und die Tower-Version sind in Abbildung 3-7 dargestellt.

**Abbildung 3-7. Rack- und Tower-System**



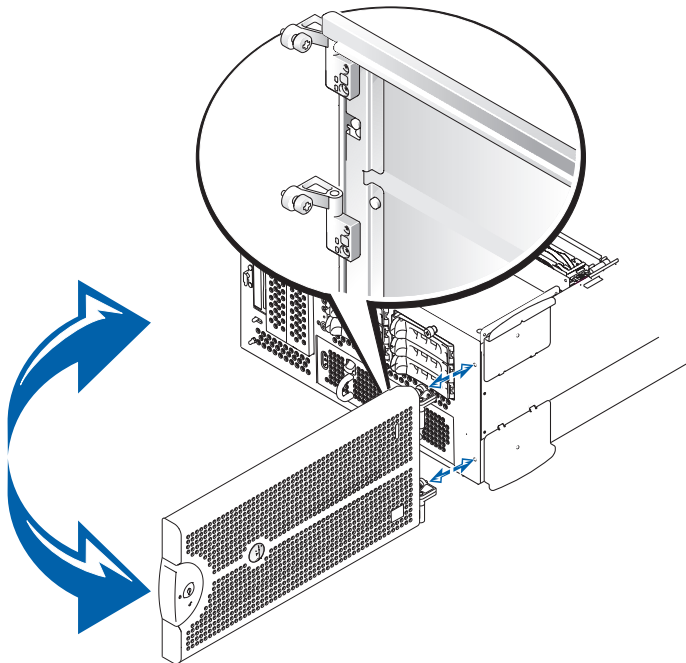
Das Tower-nach-Rack-Kit enthält folgende Komponenten:

- Eine Rack-Frontplatte mit Rack-Handgriffen und Flügelschrauben
- Eine Rack-Blende inklusive Verschluss, Schlüssel und Befestigungsteile
- Sechs 10-32-Ansatzschrauben
- Sechs Unterlegscheiben Nr. 10

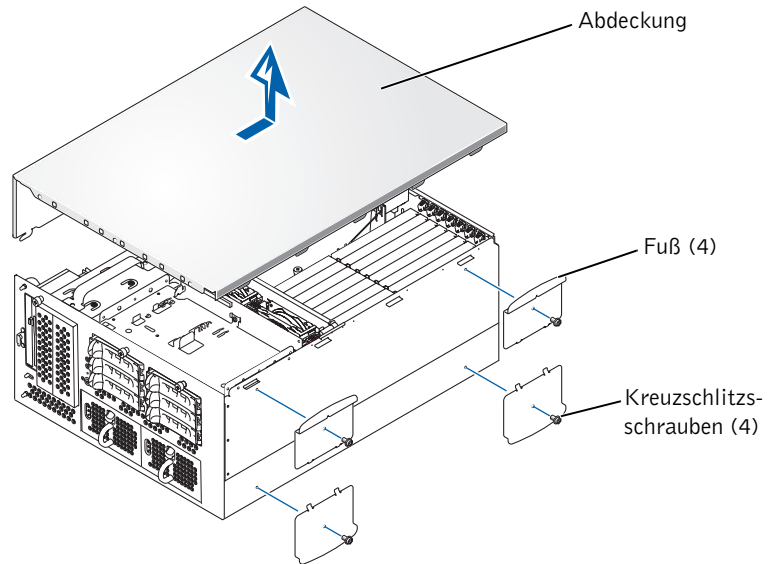
## Entfernen von Blende, Füßen Abdeckung, Seitenteil und Frontplatte

- 1 Zum Abnehmen der Blende, wenn das System auf der linken Seite liegt, führen Sie folgende Schritte aus:
  - a Öffnen Sie die Frontplatte mit dem Systemschlüssel.
  - b Schwenken Sie die Blende nach außen, bis sie senkrecht zu dem System steht.
  - c Lösen Sie mit einem Kreuzschlitz-Schraubendreher Nr. 2 die Flügelschrauben, um die Blende zu lösen, und legen Sie sie zur Seite (siehe Abbildung 3-8).

**Abbildung 3-8. Abnehmen der Frontblende**



- 2 Entfernen Sie die vier Metallfüße vom System:
  - a Entfernen Sie mit einem Kreuzschlitz-Schraubendreher Nr. 2 oder einem 1/4-Zoll-Steckschlüssel die Befestigungsschraube der Metallfüße.
  - b Ziehen Sie die Füße vom Gehäuse ab (siehe Abbildung 3-9).
- 3 Entfernen Sie die Systemabdeckung und legen Sie sie beiseite (siehe Abbildung 3-9):
  - a Lösen Sie die drei Flügelschrauben auf der Vorderseite des Systems.

**Abbildung 3-9. Entfernen der Füße und Systemabdeckung**

- b** Ziehen Sie die Systemabdeckung nach hinten und halten Sie sie dabei an beiden Seiten fest.
- c** Heben Sie die Abdeckung vorsichtig aus dem System und legen Sie sie beiseite.
- 4** Entfernen Sie die Verkleidung auf der linken Seite des Gehäuses:
  - a** Entfernen Sie die sieben T-10 Torx-Schrauben von der oberen, linken und unteren Seite der Frontplatte.  
Mit diesen sieben Schrauben ist die Seitenverkleidung an der Frontplatte und dem Gehäuse befestigt.
  - b** Schieben Sie die Verkleidung etwa 1,5 cm in Richtung Gehäuse-Rückseite und heben Sie sie heraus.
- 5** Entfernen Sie die 12 übrigen T-10 Torx-Schrauben, mit denen die Tower-Frontplatte am Gehäuse befestigt ist.
- 6** Heben Sie die Frontplatte und legen Sie sie beiseite, so dass sie nicht behindert.

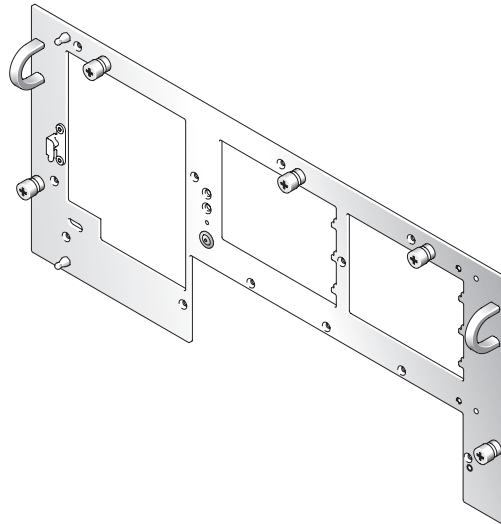
### Installieren der Rack-Frontplatte und -Blende

- 1** Befestigen Sie die Rack-Frontplatte mit den 13 Torx-Schrauben, die Sie im letzten Arbeitsschritt entfernt haben, am Gehäuse (siehe Abbildung 3-10).

Beachten Sie, dass die Rack-Frontplatte breiter ist als die Tower-Frontplatte. Außerdem verfügt sie über Handgriffe und Flügelschrauben für die vorderen vertikalen Schienen.

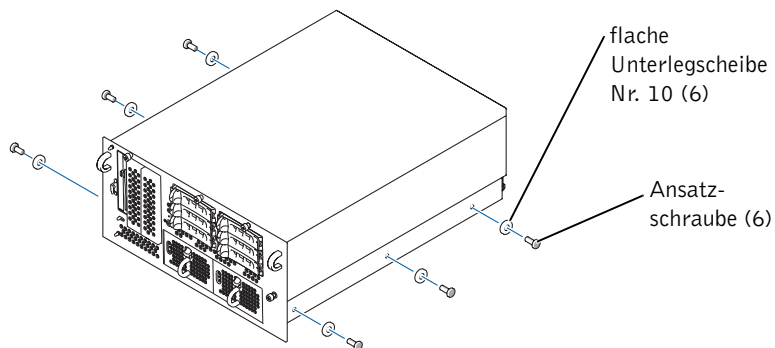


### Abbildung 3-10. Installieren der Rack-Frontplatte

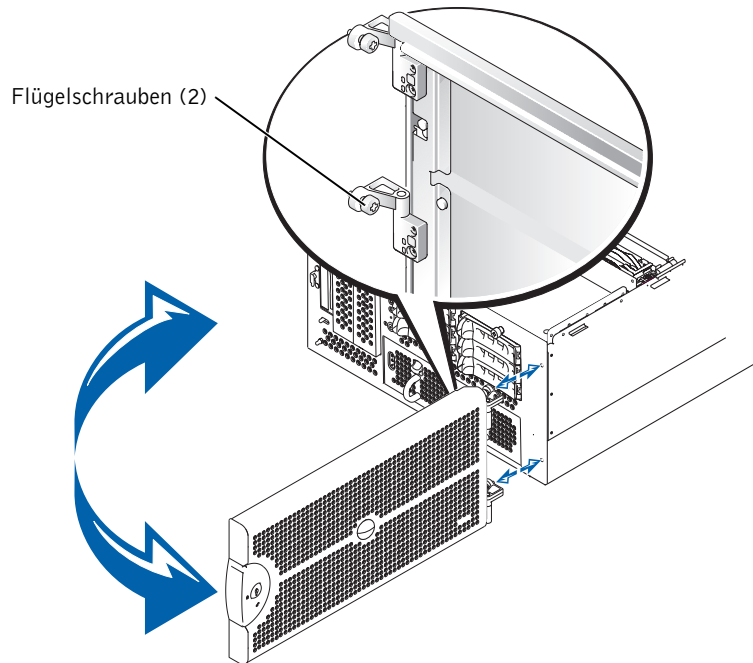


- 2 Befestigen Sie drei 10-32-Ansatzschrauben und drei Unterlegscheiben Nr. 10 auf jeder Seite des Gehäuses (siehe Abbildung 3-11).

### Abbildung 3-11. Befestigen der Ansatzschrauben und Unterlegscheiben



- 3 Installieren der neuen Rack-Blende
  - a Positionieren Sie die Blende so, dass die Flügelschrauben der Scharnierhalterung mit den Löchern in der Systemfrontplatte ausgerichtet sind (siehe Abbildung 3-12).
  - b Befestigen Sie die Flügelschrauben mit einem Kreuzschlitz-Schraubendreher an der Frontplatte.

**Abbildung 3-12. Installieren der Rack-Blende**

- 4 Bauen Sie alle Festplatten wieder in ihre Steckplätze im Laufwerkschacht ein, wenn diese zur Gewichtsverringering aus dem Gehäuse entfernt wurden, siehe *Anleitung zur Installation und Fehlersuche*).
- 5 Installieren Sie die Netzteile und den Mikroprozessor-Einschub, wenn diese zur Gewichtsverringering aus dem Gehäuse entfernt wurden.
- 6 Schließen Sie die Blende.
- 7 Bringen Sie die Systemabdeckung wieder an.

## Installieren des Systems im Rack

- ⚠ VORSICHT: Wenn Sie mehr als ein System installieren, bauen Sie das erste System in der untersten möglichen Position im Rack ein.**
- ⚠ VORSICHT: Ziehen Sie niemals mehr als eine Komponente gleichzeitig aus dem Rack heraus.**

- 1 Ziehen Sie die beiden inneren Schiebeeinheiten aus dem Rack, bis sie in der vollständig ausgezogenen Position einrasten.

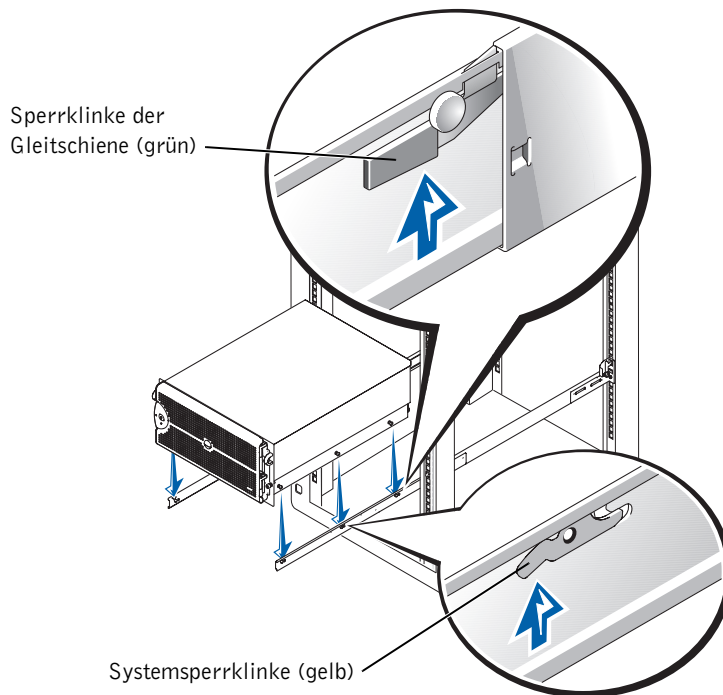
**⚠ VORSICHT: Das System ist sehr groß und schwer, also versuchen Sie niemals, es ohne fremde Hilfe in den Gleitschienen zu installieren.**

**2** Heben Sie das System in Position.

Mindestens zwei Personen sollten das System dabei mit je einer Hand unter dem vorderen und hinteren Rand anheben.

**3** Kippen Sie die Vorderseite des Systems nach oben und bringen Sie die hinteren Ansatzschrauben auf den Seiten des Systems mit den hinteren Schlitzen der Gleitschienen in Übereinstimmung (siehe Abbildung 3-13).

**Abbildung 3-13. Installation des Systems im Rack**



**4** Führen Sie zunächst die hinteren Ansatzschrauben in den Schlitz kurz hinter der grünen Sperrklinke der Gleitschiene und dann die mittleren und vorderen Ansatzschrauben in die jeweiligen Schlitze ein.

**5** Schieben Sie das System auf den Gleitschienen nach innen, bis die gelbe Systemsperrklinke mit einem Klicken einrastet. Damit ist die mittlere Ansatzschraube an der Schiene des Systems befestigt (siehe Abbildung 3-13).

- 6 Ziehen Sie die grüne Sperrklinke der Gleitschiene nach oben und schieben Sie das System in das Rack zurück.
- 7 Ziehen Sie die Flügelschrauben auf der Frontplatte des Racks fest.

## Einbau des Kabelarms

Diese Prozedur besteht aus zwei Phasen. Befestigen Sie zuerst die Kabelführung an der Rückseite des Systemgehäuses. Befestigen Sie dann den Kabelarm auf der anderen Seite der Kabelführung.

### Installation der Kabelführung

Befestigen Sie die Kabelführung mit vier 6-32 x 0,25-Zoll-Sechskant-Kreuzschlitzschrauben am Systemgehäuse (siehe Abbildung 3-14).

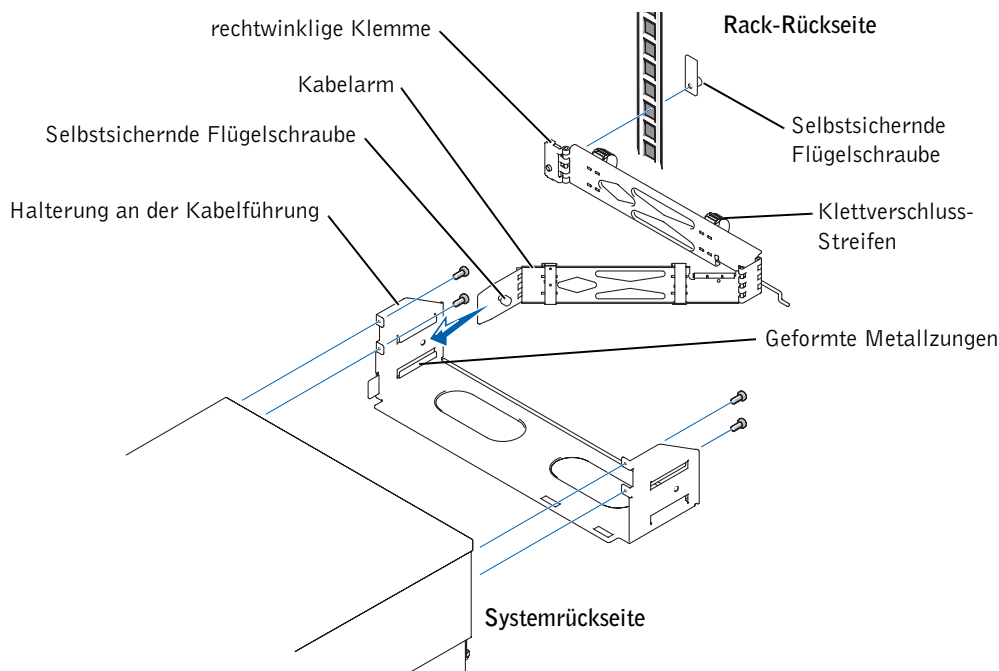


**VORSICHT: Die Kabelführung kann nicht das Gewicht des Systems tragen. Das System nicht an der Kabelführung anheben. Heben Sie das System nur an den Gehäusekanten an.**

### Befestigen des Kabelarms

- 1 Bringen Sie die rechtwinklige Klemme des Kabelarms von der Rückseite aus an der hinteren vertikalen Schiene des Schanks und befestigen Sie sie mit den selbstsichernden Flügelschrauben (siehe Abbildung 3-14). Die Klemme wird in die rechteckigen Montagelöcher an der vertikalen Schiene eingeklemmt.

**Abbildung 3-14. Einbau des Kabelarms**




- 2 Schieben Sie das lose Ende des Kabelarms in die durch die geformten Metallzungen gebildete Aussparung an der Seite der Kabelführung.
- 3 Befestigen Sie den Kabelarm mit der selbstsichernden Flügelschraube in der Aussparung.

## Verlegen der Kabel

- 1 Befestigen Sie das E/A- und das Stromkabel wieder an ihren Anschlüssen auf der Rückseite des Systems.

Einzelheiten finden Sie in der *Anleitung zur Installation und Fehlersuche* Ihres Systems und in der *Bedienungsanleitung*.

- 2 Befestigen Sie alle Kabel am Kabelarm:
  - a Lösen Sie die Flügelschrauben, mit denen die System-Frontplatte an der vorderen vertikalen Schiene befestigt ist.
  - b Schieben Sie das System in die vollständig ausgezogene Position heraus.

- c Führen Sie die Kabel entlang des Kabelarms, wobei Sie an den Positionen der Scharniere zusätzliches Spiel im Kabel lassen, und befestigen Sie die Kabel mit den Klettverschluss-Streifen am Kabelarm (siehe Abbildung 3-14).
  - 3 Schieben Sie das System in das Rack hinein und ziehen Sie es wieder heraus, um zu überprüfen, ob die Kabel korrekt verlegt sind und bei Bewegung des Kabelarms nicht eingeklemmt, gedehnt oder gequetscht werden.
    -  **HINWEIS:** Wenn Sie das System in die weiteste Position herausziehen, werden die Gleitschienen in der ausgezogenen Position verriegelt. Um das System zurück in das Rack zu schieben, drücken Sie auf die Sperrklinke an der Seite der Gleitschiene, um die Verriegelung zu lösen, und schieben Sie das System dann komplett in das Rack.
  - 4 Ziehen Sie die in Schritt 2a gelösten Flügelschrauben wieder an.

## Einsetzen der Rack-Türen

Weitere Informationen über das Einsetzen der Türen finden Sie in der den 24-U- und 42-U-Gestellschränken beiliegenden Dokumentation.

Damit ist die Rack-Installation Ihres Systems abgeschlossen.

# Index

## I

- Inhalt des VersaRails-Kits
  - Liste, 3-5
- Inhaltsliste
  - RapidRails-Kit, 3-4
  - VersaRails-Kit, 3-5
- Installation
  - Kabelarm, 3-18
  - Rack-Frontplatte, 3-14
  - System, 3-14
  - System im Rack, 3-16
  - Tower-nach-Rack-Kit, 3-12
- Installation des Systems
  - Rack mit vier Stützen, 3-12
- Installation im Rack
  - System, 3-12

## K

- Kabelführung, 3-19
- Kit-Inhalt
  - RapidRails, 3-4
  - VersaRails, 3-6

## M

- Markieren des Racks, 3-7

## R

- Rack
  - Markieren, 3-7
- Rack-Stabilisatoren, 3-3
- RapidRails-Kit, Inhalt, 3-4

## S

- Sicherheitshinweise, 3-1
- System
  - Installation im Rack, 3-14

## T

- Türen
  - Einsetzen, 3-20
  - Entfernen, 3-6

## V

- Verlegen der Kabel, 3-19
- VersaRails
  - Kit-Inhalt, 3-5, 3-6
- Vorsichtsmaßnahmen bei der Montage im Rack, 3-3

## W

- Werkzeuge und Zubehör
  - Rack-Kits mit vier Stützen, 3-4








Dell™ システム

# ラック取り付けガイド

## メモ、注意および警告

-  **メモ**：メモは、コンピュータを使いやすくする為の重要な情報を説明しています。
-  **注意**：注意は、ハードウェアの損傷やデータの損失の可能性を示し、その危険を回避するための方法を説明しています。
-  **警告**：警告は、物的損害、けが、または死亡の原因となる可能性があることを示します。

---

ここに記載されている内容は予告なく変更されることがあります。

© 2002 すべての著作権は Dell Computer Corporation にあります。

Dell Computer Corporation の書面による許可のない複製は、いかなる形態においても厳重に禁じられています。

本書で使用されている商標について：Dell、DELL ロゴ、RapidRails、および VersaRails は、Dell Computer Corporation の商標です。

本書では、必要に応じて上記記載以外の商標および会社名が使用されている場合がありますが、これらの商標や会社名は、一切 Dell Computer Corporation に所属するものではありません。

2002 年 4 月 P/N 5J802 Rev. A00

# 目次

<b>安全にお使いいただくために</b> .....	<b>4-1</b>
<b>インストール手順</b> .....	<b>4-2</b>
はじめに .....	4-3
安全に関する重要な注意 .....	4-3
ラック安定板 .....	4-3
取り付け手順 .....	4-4
推奨する工具および備品 .....	4-4
RapidRails ラックキットの付属品 .....	4-4
VersaRails ラックキットの付属品 .....	4-5
<b>ラックの扉の取り外し</b> .....	<b>4-6</b>
<b>ラックに印を付ける</b> .....	<b>4-7</b>
<b>RapidRails スライドアセンブリの取り付け</b> .....	<b>4-8</b>
<b>VersaRails スライドアセンブリの取り付け</b> .....	<b>4-10</b>
<b>タワーラック変換キットの取り付け</b> .....	<b>4-11</b>
ベゼル、脚、カバー、側面パネル、正面パネルの 取り外し .....	4-12
ラック正面パネルとベゼルの取り付け .....	4-14
<b>ラックへのシステムの取り付け</b> .....	<b>4-16</b>
<b>ケーブル処理アームの取り付け</b> .....	<b>4-18</b>
ケーブルトレイの取り付け .....	4-18
ケーブル処理アームの固定 .....	4-18
<b>ケーブルの配線</b> .....	<b>4-19</b>
<b>ラックの扉の取り付け</b> .....	<b>4-19</b>

## 索引

### 図

図 4-1	RapidRails ラックキットの付属品 .....	4-5
図 4-2	VersaRails ラックキットの付属品 .....	4-6
図 4-3	ラックの 1U .....	4-7
図 4-4	垂直レールに印を付ける .....	4-8
図 4-5	RapidRails スライドアセンブリの取り付け .....	4-9
図 4-6	VersaRails レールアセンブリの取り付け .....	4-11
図 4-7	ラック型システムとタワー型システム .....	4-12
図 4-8	前面ベゼルの取り外し .....	4-13
図 4-9	脚とシステムカバーの取り外し .....	4-14
図 4-10	ラック正面パネルの取り付け .....	4-15
図 4-11	肩付きネジとワッシャーの取り付け .....	4-15
図 4-12	ラックベゼルの取り付け .....	4-16
図 4-13	ラックへのシステムの取り付け .....	4-17
図 4-14	ケーブル処理アームの取り付け .....	4-18


# 安全にお使いいただくために


ご自身の身体の安全を守り、サーバ、ストレージシステム、アプライアンスを損傷から保護するために、以下の点にご注意ください。安全および規制に関する完全な情報は、『システム情報ガイド』を参照してください。保証に関する情報は、このマニュアルまたは別のマニュアルに記載されています。


## ラックに設置可能な製品に対する注意点

ラックの安定性や安全性に関して、次の点にご注意ください。特定の警告や注意文および手順については、システムやラックに同梱されているラック取り付けマニュアルを参照してください。


サーバ、ストレージシステム、およびアプライアンスは、ラックの一部とみなします。したがって、「部品」と言うときは、さまざまな周辺機器やサポートハードウェアと同様に、サーバ、ストレージシステム、アプライアンスも含まれます。

 **警告**：ラック正面および横の安定板を取り付けずにラックにシステム部品を取り付けると、ラックが転倒し、けがをする恐れがあります。そのため、必ず安定板を取り付けてからラックに部品を取り付けてください。

 **警告**：ラックにシステムや部品を取り付けた後は、一度に 2 台以上の部品を、スライドアセンブリのラックから引き出さないでください。重みでラックが転倒し、けがをする恐れがあります。

 **メモ**：Dell のシステムは、独立設置ユニットとして、また専用設計のカスタマラックキットとラックキャビネットを使用して取り付ける部品として、安全性が保証されています。システムおよびラックキットを Dell 以外のメーカーのラックキャビネットに取り付ける場合は、安全性が保証されていません。他のメーカーのキャビネットでシステムやラックキットを最終的に組み合わせて使用する場合は、ユーザが責任を持って認定安全機関で適合性の評価を受けてください。Dell では、このような組み合わせに関連するいかなる責任および保証も負いません。

- システムラックキットは、トレーニングを受けたサービス技術者が規格に適合するラックに取り付けます。キットを別のラックに取り付ける場合は、そのラックが Dell のラック仕様に適合していることを確認してください。


 **警告**：大型ラックを 1 人で移動しないでください。ラックの高さと重さを考慮して、少なくとも 2 人以上でラックを移動することをお勧めします。


- ラックを移動する前に、安定板がラックに固定されて床面に伸び、ラックの全重量が床面にかかっていることを確認してください。ラックを移動する前に、ラックが 1 つの場合は正面と横の安定板、複数の組み合わされたラックの場合は正面の安定板を取り付けます。

- ラックには必ず下から上の順に、最も重いものから設置します。
- 部品をラックから引き出す前に、ラックが平行で安定していることを確認してください。
- 部品レールリリースラッチを押して部品をラックの中または外にスライドする場合には、ご注意ください。スライドレールに指をはさまれることがあります。
- 部品をラックに設置したら、レールをロック位置に静かに伸ばし、部品をラックの中にスライドします。
- ラックに電力を送る AC 分岐回路に過重電流を流さないでください。ラックの総負荷が分岐回路定格の 80 パーセントを超えないようにしてください。
- ラックの部品に空気が十分に送られていることを確認します。
- ラックの他のシステム/部品を取り扱っているときは、システム/部品の上に乗ったり、立ったりしないでください。


## インストール手順

このガイドは、オープンフレームリレーラックやラックキャビネットに 1 つまたは複数のシステムを取り付ける作業を行う、トレーニングを受けたサービス技術者向けの手順書です。Dell™ RapidRails™ ラックキットは、工具を使わずにすべてのメーカーのラックキャビネットに取り付けることができます。VersaRails™ ラックキットは、統一規格に適合しているほとんどのラックキャビネットに取り付けることができます。RapidRails および VersaRails ラックキットの取り付け手順はほとんど同じです。ラックキャビネットに取り付けるシステム 1 基ごとにラックキット 1 セットが必要です。

 **警告**：別のシステム用に設計されたラックキット部品は取り付けしないでください。ご使用の Dell システム用のラックキットだけをお使いください。別のシステム用のラックをお使いになると、システムの損傷やけがを招く恐れがあります。


 **メモ**：ご使用の Dell システムがタワー型の場合は、タワーラック変換キットを取り付ける必要があります。このキットの取り付け手順については本書で説明しています。


RapidRails ラックキットは、すべての Dell ラックキャビネットおよびほとんどの業界標準のラックキャビネットに取り付けが可能です。

 **注意**：VersaRails ラックキットは、米国規格協会 (ANSI)/ 米国電子工業会 (EIA) 規格 ANSI/EIA-310 -D-92、国際電気標準会議 (IEC) 297、ドイツ工業規格 (DIN) 41494 の使用を満たすラックについてトレーニングを受けたサービス技術者が取り付けられるように設計されています。ラックキットは、ラックに取り付けられているシステム 1 台につき 1 セットずつ必要です。

## はじめに


システムのラックへの取り付けを開始する前に、本書の「安全にお使いいただくために」と『システム情報ガイド』の安全に関する注意事項を参照して、補足情報を確認してください。

 **警告:** 複数のシステムをラックに取り付ける場合は、1基目のシステムの手順を完了してから、次のシステムに取り付けに進んでください。


 **警告:** ラックキャビネットはサイズが非常に大きく重量もあるため、キャスターで簡単に移動できるようになっています。このキャスターにはブレーキがありません。ラックキャビネットを移動するときは十分な注意が必要です。ラックキャビネットを別の場所に移すときは、水平調節用の脚を収納してください。傾斜面や急な勾配のある場所、スロープなど、バランスが取りにくい場所にはキャビネットを設置しないでください。水平調節用の脚を伸ばしてキャビネットを支え、キャビネットが倒れないようにしてください。


## 安全に関する重要な注意

システムをラックに取り付けるときは、次の各項の安全に関する注意を遵守してください。

 **警告:** 作業者は、自分自身と関係者を保護するために、本書の手順を遵守する必要があります。本システムは非常に重量があり大きいため、自分自身や関係者のけがを防ぐために準備と計画を適切に行うことが重要です。これは、特にシステムをラックの高い位置に取り付ける場合に重要になります。

## ラック安定板

 **警告:** ラック正面および横の安定板を取り付けずに、ラックにシステムを取り付けると、ラックが転倒し、けがをする恐れがあります。このため、ラックにコンポーネントを取り付ける前に、必ず安定板を取り付けるようにしてください。

 **警告:** ラックにシステムを取り付けた後は、一度に複数のシステムをスライドアセンブリのラックから引き出さないでください。引き出された複数のシステムの重みでラックが転倒し、けがをする恐れがあります。

安定板は、スライドアセンブリが伸びきった状態でラックからシステムやその他の部品を引き出す際にラックの転倒を防ぎます。安定板の取り付けおよび固定手順については、ラックキャビネットに付属のマニュアルを参照してください。

## 取り付け手順

ラックキットを取り付けるには、次の手順を番号順に行います。

- 1 ラックの扉の取り外し
- 2 ラックに印を付ける
- 3 ラックへのレールアセンブリの取り付け
  - RapidRails の取り付け
  - VersaRails の取り付け
- 4 ラックへのシステムの取り付け
- 5 ケーブル処理アームの取り付け
- 6 ケーブルの配線
- 7 ラックの扉の取り付け

## 推奨する工具および備品

- A #2 プラスドライバ
- T-10 Torx ドライバ (タワーラック変換キットを取り付ける場合)
- 取り付け穴に印を付けるために使用するマスキングテープまたはフェルトペン
- 定規または巻尺

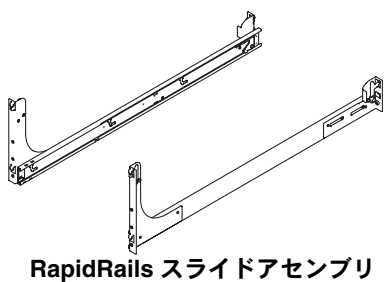
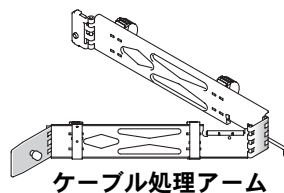
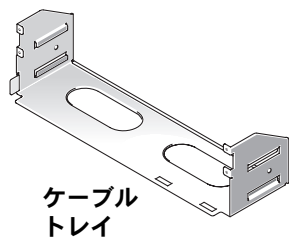
## RapidRails ラックキットの付属品

RapidRails ラックキットには、以下の部品が含まれています (図 4-1 参照)。

- RapidRails スライドアセンブリ 1 組
- ケーブル処理アーム 1 本
- ケーブルトレイ 1 個
- 6-32 x 0.25 インチ六角プラスネジ 4 本



図 4-1. RapidRails ラックキットの付属品



## VersaRails ラックキットの付属品

VersaRails ラックキットには、以下の部品が含まれています (図 4-2 参照)。

- VersaRails スライドアセンブリ 1 組
- ケーブル処理アーム 1 本
- ケーブルトレイ 1 個
- 10-32 x 0.5 インチフランジヘッドプラスネジ 10 個
- 6-32 x 0.25 インチ六角プラスネジ 4 本


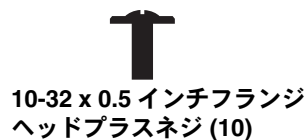
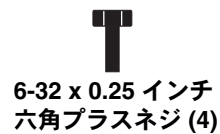
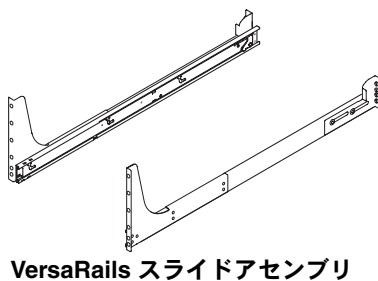
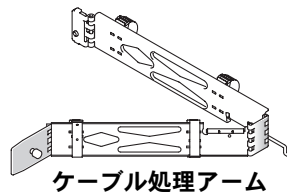
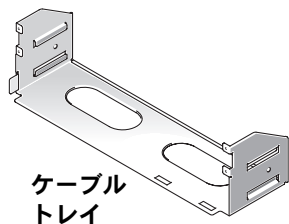
 **メモ:** 図と手順で示されているメートル法規格ではないネジは、サイズとインチ当たりねじ山数で表記されています。たとえば 1 インチに 32 個のねじ山がある #10 プラスネジは、10-32 ネジと表記します。

図 4-2. VersaRails ラックキットの付属品



## ラックの扉の取り外し

ラックキャビネットに同梱のマニュアルに記載されている扉の取り外し手順を参照してください。

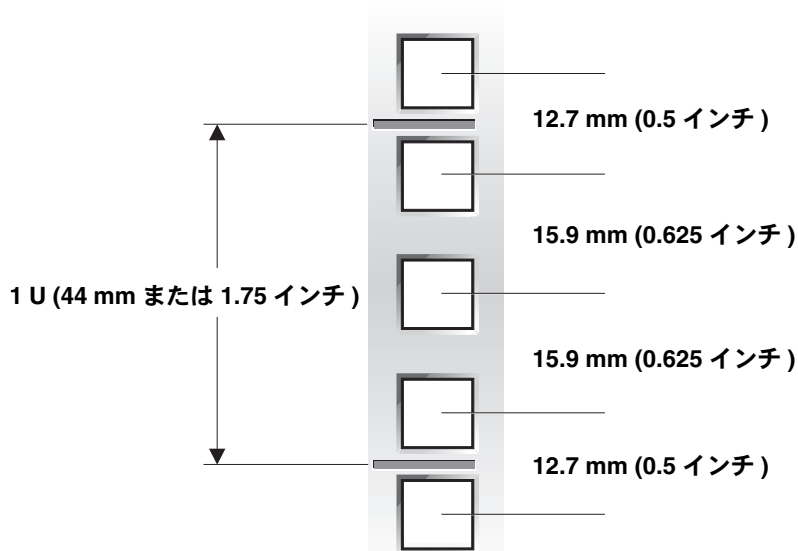
**⚠ 警告:** ラックキャビネットの扉の大きさと重さを考慮して、取り付けまたは取り外しは1人では行わないでください。

**⚠ 警告:** 取り外した扉は、不意に倒れてけがをしないような場所に保管してください。

## ラックに印を付ける

ラックに取り付ける各システムの上には、5 U (8.75 インチ) の空間を空ける必要があります (図 4-3 参照)。

図 4-3. ラックの 1U



**⚠ 警告** : 複数のシステムを取り付ける場合は、ラックの最下段に 1 基目のシステムを取り付けられるように、スライドアセンブリを取り付けてください。

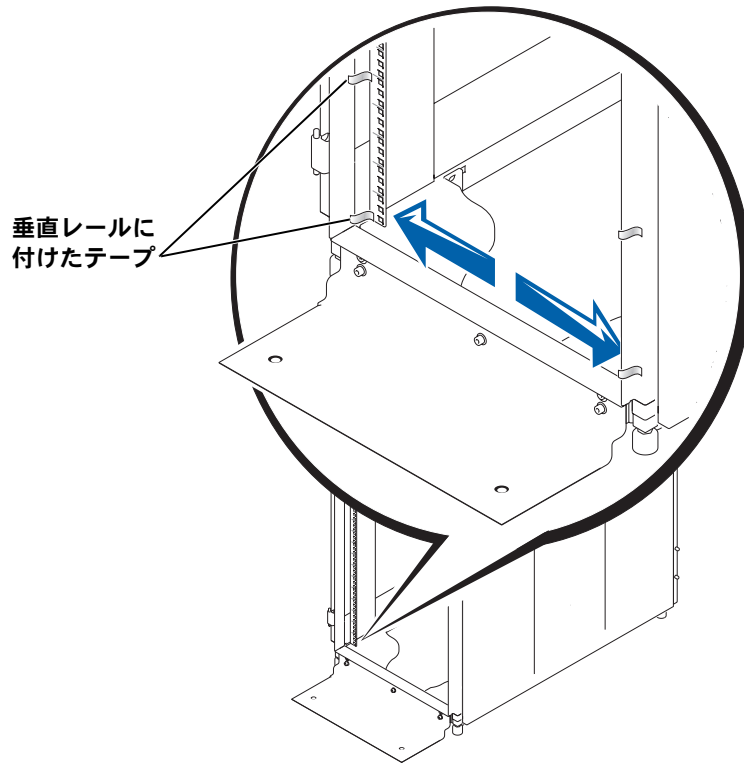
次の手順に従って、ラックに印を付けます。

- 1 前部垂直レール上で、ラックキャビネットに取り付けるシステムの底部の位置を決め、印を付けます。

各 1 U スペースの底部は、間隔が狭い 2 つの穴にある金属の部分の真ん中になります (ラックキャビネットによっては水平なラインが刻まれている場合があります。— 図 4-4 参照)。

最初に印を付けた場所から約 8.75 インチ上 (あるいは EIA-310 標準を満たすラックであれば、ラックの穴を上を 15 個数えた場所) に印を付け、ラックの前部垂直レールにフェルトペンやマスキングテープで印を付けます (穴の数を数えて印を付けた場合は一番上の穴の真上に印を付けます)。この印もしくはテープは、垂直レール上でシステムの上端が収まる位置を表します (図 4-4 参照)。

図 4-4. 垂直レールに印を付ける



## RapidRails スライドアセンブリの取り付け

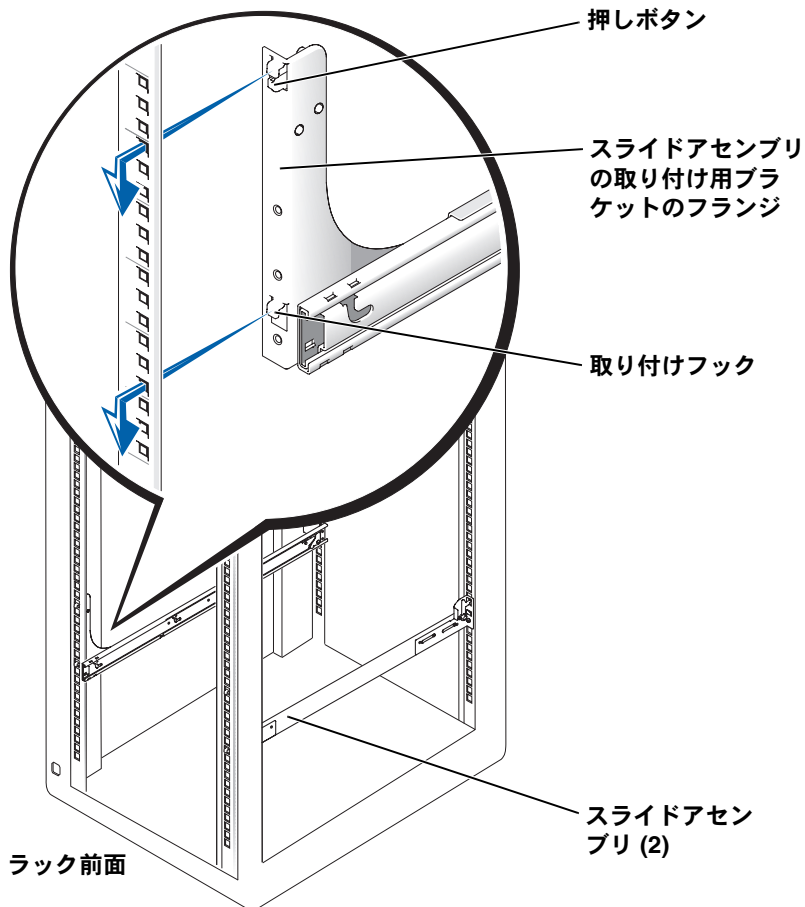
- 1 ラックキャビネットの前面で、RapidRails スライドアセンブリの取り付け用ブラケットのフランジが、ラックに付けた印やテープの間のスペースに収まるように、1つ目のスライドアセンブリの位置を合わせます (図 4-5 参照)。

スライドアセンブリの前面取り付け用ブラケットフランジの上部取り付けフックを、垂直レールに付けた印の間のスペースにある一番上の穴に差し込みます。

- 2 スライドアセンブリを正面に向かって押して、上部取り付けフックを垂直レールの対応する角型の穴に差し込み、取り付け用ブラケットのフランジを下に押しつけて取り付けフックを穴に固定します。次に2つの取り付けフックが両方とも角型の穴に入り、押しボタンがカチッという音がして飛び出すまで、取り付け用ブラケットのフランジを下に押し下ろします (図 4-5 参照)。

- 3 キャビネットの背面で、取り付け用ブラケットのフランジを後ろに引いて、上部取り付けフックを対応する角型の穴に差し込み、フランジを下に押しつけて取り付けフックを穴に固定します。完全に固定されるとプッシュボタンがカチッと飛び出します。
- 4 ラックの反対側のもう 1 つのスライドアセンブリについて、手順 1 から 3 を繰り返します。
- 5 左右の垂直レールで、取り付け用レールが同じ位置に取り付けられていることを確認します。

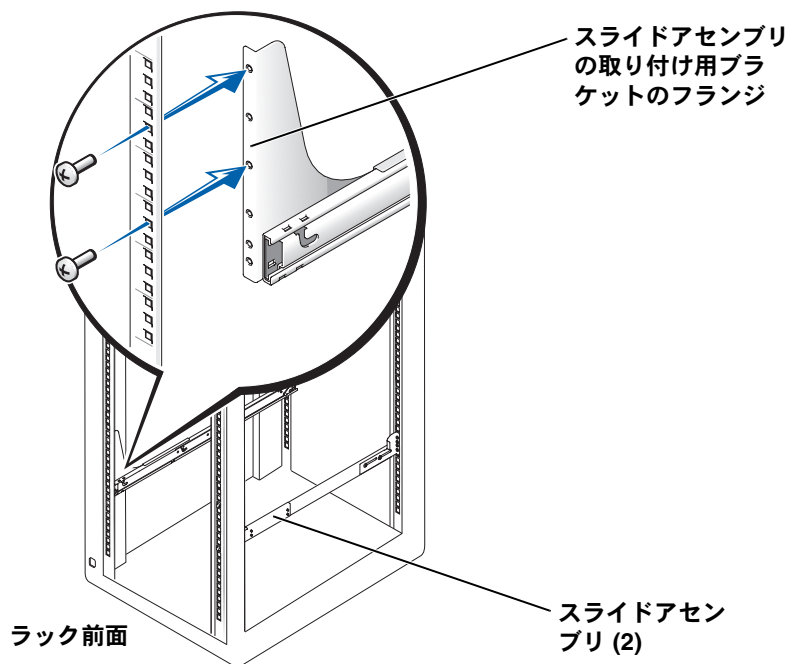
図 4-5. RapidRails スライドアセンブリの取り付け



## VersaRails スライドアセンブリの取り付け

- 1 ラックキャビネットの前面で、VersaRails スライドアセンブリの取り付け用ブラケットのフランジが、ラックに付けた上下の印またはテープ(または数えた穴の位置)の間に収まるように、スライドアセンブリの位置を合わせます(図 4-6 参照)。  
  
取り付け用ブラケット前部にある 4 個の穴が、前部垂直レールに付けた印の間(または選んでメモした目盛りの位置)にある 4 個の穴と合うようにしてください。
- 2 10-32 x 0.5 インチフランジヘッドプラスネジ 2 本を、取り付け用フランジの上から 1 つ目と 3 つ目の穴に差し込みます(図 4-6 参照)。
- 3 キャビネットの背面から、取り付け用ブラケットのフランジを後ろに引いて、取り付け用の穴と後部垂直レールの穴をそれぞれ合わせます。
- 4 2 本の 10-32 x 0.5 インチフランジヘッドプラスネジを取り付け用フランジ後部の一番上の穴と上から 3 個目の穴に差し込んで、スライドアセンブリを後部垂直レールに固定します。
- 5 ラックの反対側のもう 1 つのスライドアセンブリについて、手順 1 から 4 を繰り返します。
- 6 スライドアセンブリが、ラック両側の垂直レールの同じ位置に取り付けられていることを確認します。

図 4-6. VersaRails レールアセンブリの取り付け

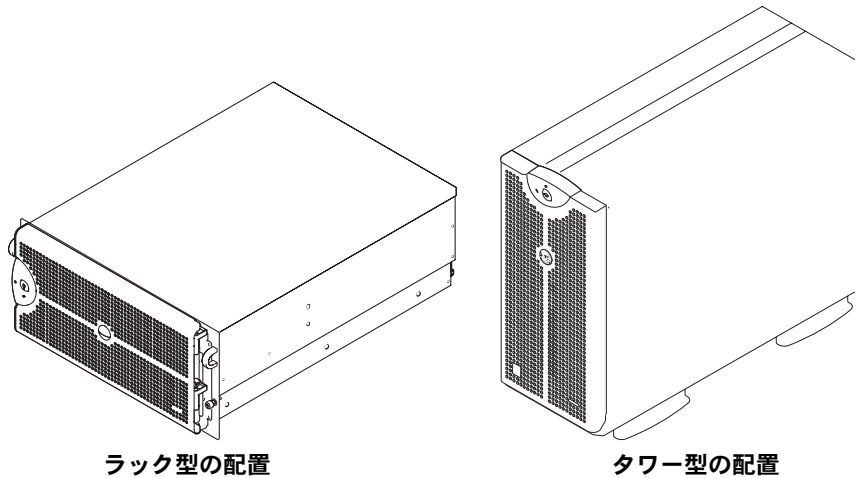


## タワーラック変換キットの取り付け

- 🔪 **メモ** : タワーラック変換キットを注文された場合は、ここで取り付けてください。
- 🔪 **メモ** : ラックのみのシステムの場合は、この手順を飛ばして「システムのラックへの取り付け」に進んでください。
- ⚠️ **警告** : システムの重量は、完全装備時で最大 43 kg に達します。ご自身のけがを防ぐために、決して1人でシステムを動かそうとしないでください。

ラック型システムとタワー型システムを図 4-7 に示します。

図 4-7. ラック型システムとタワー型システム



タワーラック変換キットの内容は、次のとおりです。

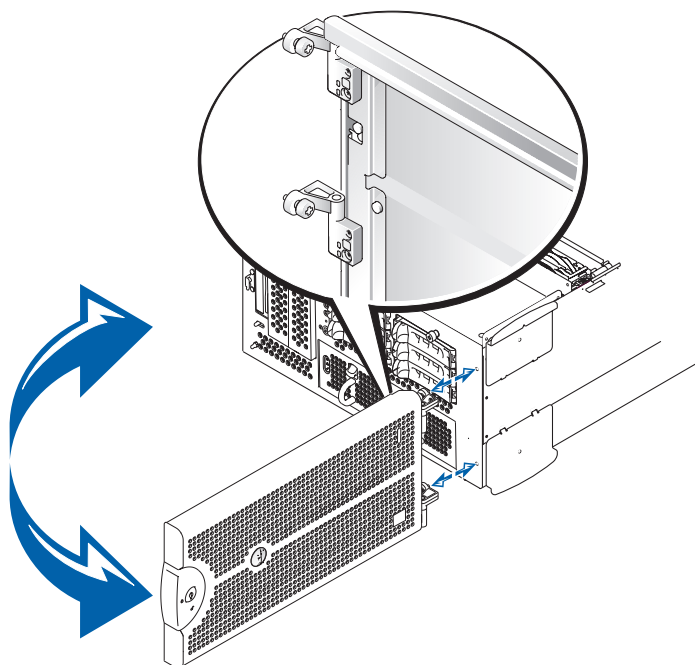
- ラック正面パネル 1 枚 (ラックハンドルと蝶ネジ付き)
- ラックベゼル 1 枚 (キーロック、キー、取り付け金具付き)
- 10-32 肩付きネジ 6 本
- #10 平ワッシャー 6 個

#### ベゼル、脚、カバー、側面パネル、正面パネルの取り外し

- 1 左を下にして寝かせたシステムのベゼルを取り外すには、次の手順を実行します。
  - a システムキーを使って前面ベゼルのロックを外します。
  - b システムに対して垂直になるまでベゼルを開きます。
  - c #2 プラスドライバを使用して蝶ネジを緩め、ベゼルを取り外して別におきます (図 4-8 参照)。

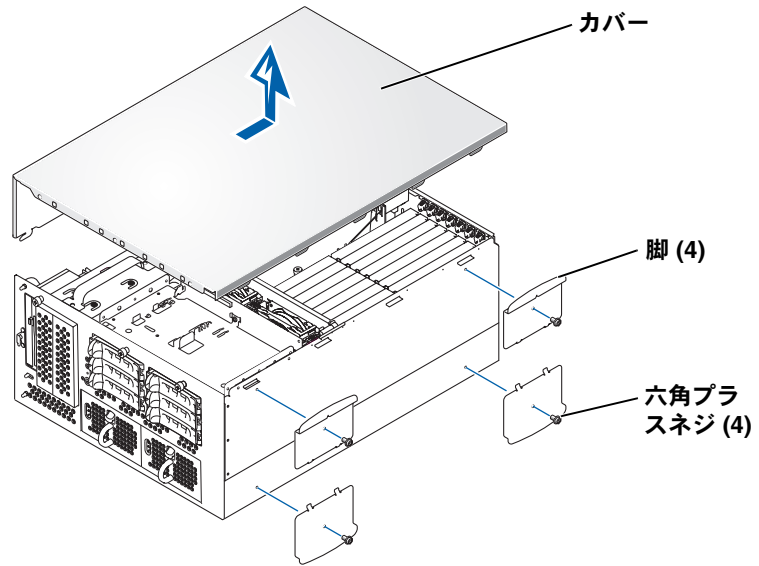


図 4-8. 前面ベゼルの取り外し



- 2 4本の金属製脚をシステムから取り外します。
  - a #2 プラスドライバまたは 1/4 インチナットドライバを使用して、それぞれの金属製脚を固定しているネジを取り外します。
  - b それぞれの脚をシャーシから取り外します (図 4-9 参照)。
- 3 システムカバーを外し、別にしておきます (図 4-9 参照)。
  - a システム前面の 3 本の蝶ネジを緩めます。

図 4-9. 脚とシステムカバーの取り外し



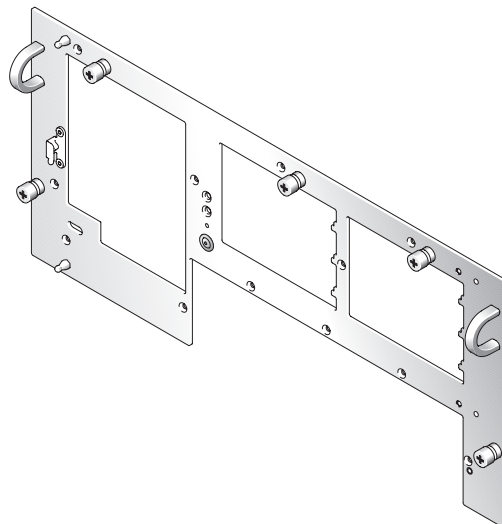
- b システムカバーを後方にずらし、両端をしっかりとつかみます。
- c システムからカバーを慎重に持ち上げ、別にしておきます。
- 4 シャーシの左側から化粧トリムパネルを取り外します。
  - a 正面パネルの上部、左端、下部から 7 本の T-10 Torx ネジを取り外します。  
この 7 本のネジが、化粧トリムパネルを正面パネルとシャーシに固定しています。
  - b 化粧トリムパネルを 0.5 インチほどシャーシ後方にずらしてから持ち上げます。
- 5 タワー形式のフロントパネルをシャーシに固定する残りの 12 個の T-10 Torx ネジを取り外します。
- 6 正面パネルを持ち上げ、邪魔にならない場所に置きます。

### ラック正面パネルとベゼルの取り付け

- 1 ラック正面パネルをシャーシに取り付け、前述の手順で取り外した 13 本の Torx ネジで固定します (図 4-10 参照)。

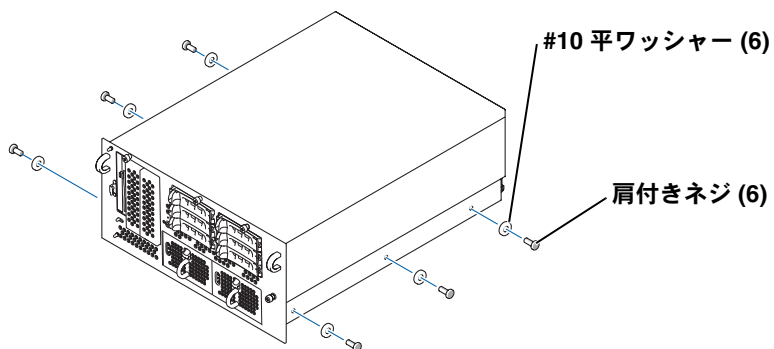
ラック正面パネルの方がタワー正面パネルよりも幅が広く、前面垂直レール用のハンドルや蝶ネジが付いています。

図 4-10. ラック正面パネルの取り付け



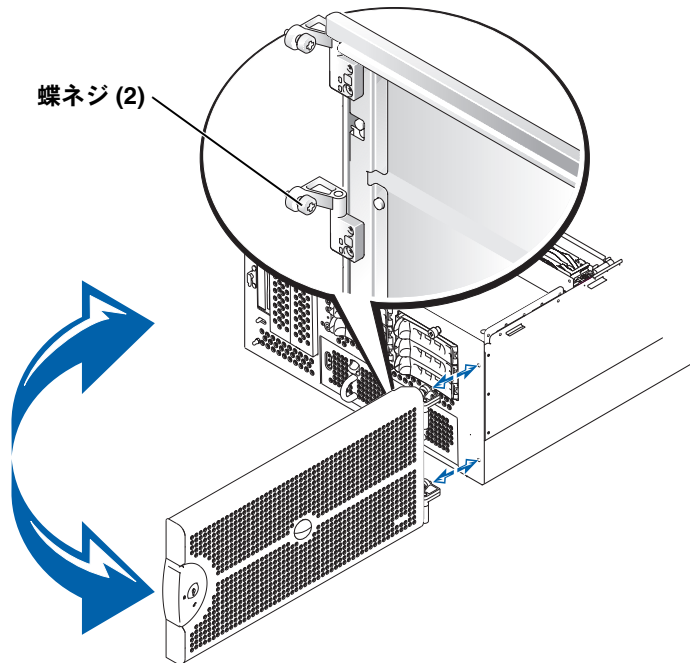
- シャーシの両側に 10-32 肩付きネジ 3 本と #10 平ワッシャー 3 個をそれぞれ取り付けます (図 4-11 参照)。

図 4-11. 肩付きネジとワッシャーの取り付け



- 新しいラックベゼルを取り付けます。
  - ベゼルのヒンジ付き取り付けブラケットの蝶ネジが、システム正面パネルの穴に合うようにベゼルの位置を合わせます (図 4-12 参照)。
  - プラスドライバーで蝶ネジを正面パネルに固定します。

図 4-12. ラックベゼルの取り付け



- 4 シャーシを軽くするためにハードドライブを取り外した場合は、ドライブベイのそれぞれのスロットに元のように取り付けます (手順は『Installation and Troubleshooting Guide』を参照)。
- 5 シャーシを軽くするために電源とマイクロプロセッサトレイを取り外した場合は、元のように取り付けます。
- 6 ベゼルを閉じます。
- 7 システムカバーを元どおりに取り付けます。

## ラックへのシステムの取り付け

- ⚠ **警告:** 複数のシステムを取り付ける場合は、1 基目のシステムをラックの最下段の位置に取り付けてください。
  - ⚠ **警告:** 一度に複数の部品をラックから引き出さないようにしてください。
- 1 2 つの内側のスライドアセンブリを、完全に伸びた位置でロックするまでラックから引き出します。

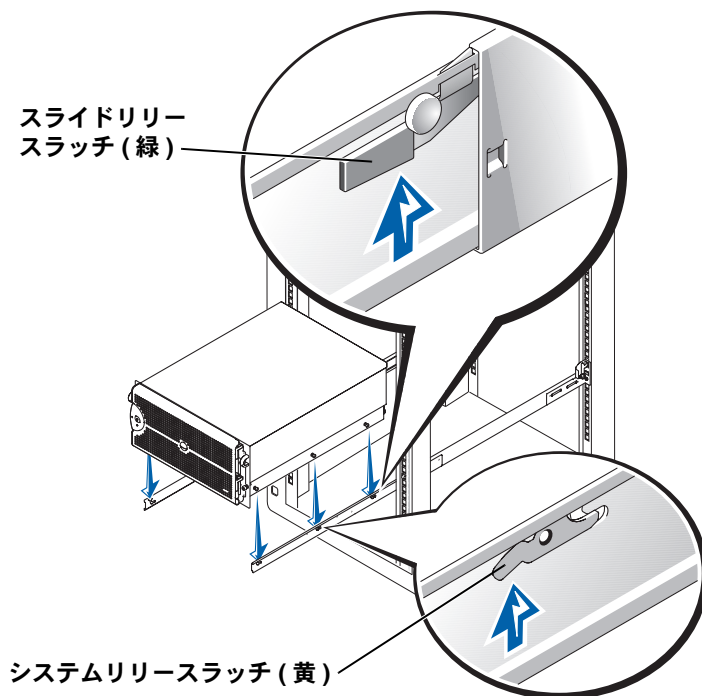
**⚠ 警告**：システムの大きさと重さを考慮して、決して1人でラックのスライドアセンブリにシステムを取り付けようとしないでください。

2 システムを所定の位置に置きます。

最低2人で、各自が一方の手でシステム前部の底を、もう一方の手でシステム後部の底を持ちます。

3 システム側面の背面側肩付きネジを、スライドアセンブリの背面側スロットに合わせながら、システム前部を持ち上げます (図 4-13 参照)。

図 4-13. ラックへのシステムの取り付け



4 背面の肩付きネジを緑のスライドリリーススラッチのすぐ後ろにあるスロットにはめ込み、次に中央と前面の肩付きネジをはめ込みます。

5 黄色のシステムリリーススラッチがカチッという音とともに所定の場所に収まり、スライドがシステムの中央の肩付きネジにロックされるまで、スライドアセンブリをスライドしてシステムを押し込みます (図 4-13 参照)。

6 緑のスライドリリーススラッチのところでシステムを持ち上げて、ラックに押し込みます。

7 ラック正面パネルの蝶ネジを締めます。

## ケーブル処理アームの取り付け

この手順は2段階に分けて実行します。初めにケーブルトレイをシステムシャーシの背面に取り付けます。次にケーブル処理アームをケーブルトレイのどちらかの側面に取り付けます。

### ケーブルトレイの取り付け

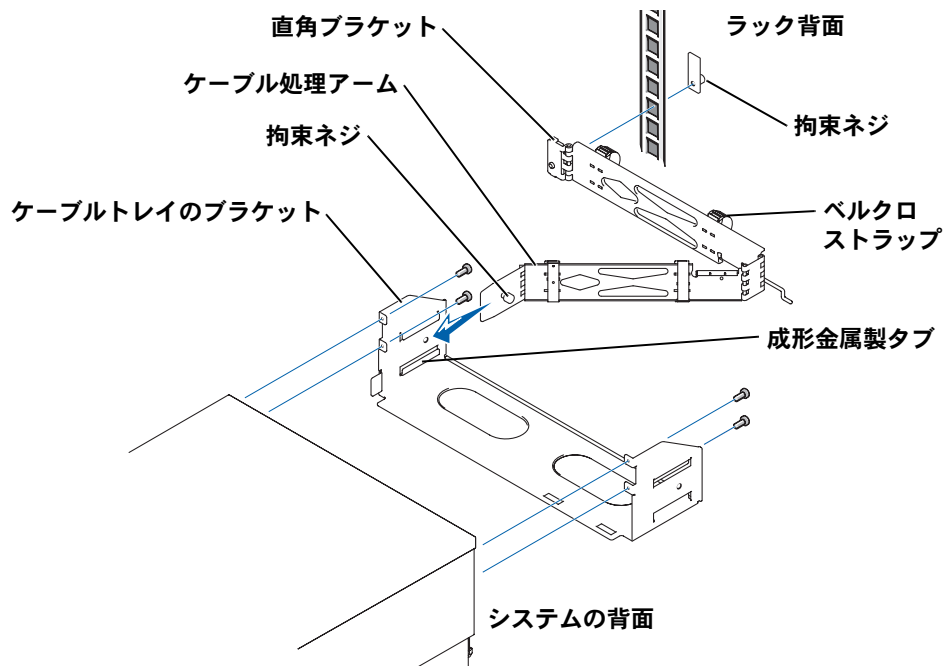
6-32 x 0.25 インチ六角プラスネジ4本を使用して、ケーブルトレイをシステムシャーシに取り付けます(図4-14参照)。

**⚠ 警告：**ケーブルトレイは、システムの重量を支えきれません。システムを持ち上げるときはケーブルトレイを持たないでください。システムを持ち上げる際は、必ずシャーシの端を持ってください。

### ケーブル処理アームの固定

- 1 ラックキャビネットの背面から、ケーブル処理アームの垂直ブラケットをキャビネットの背面側垂直レールに取り付け、拘束ネジで固定します(図4-14参照)。ブラケットは垂直レールの角型取り付け穴に固定されます。

図4-14. ケーブル処理アームの取り付け




- 2 まだ取り付けられていないもう一端のケーブル処理アームをケーブルトレイの側面に成型金属製のタブで作られたスロット付きのポケットに差し込みます。
- 3 ケーブル処理アームをネジでスロット付きのポケットに固定します。

## ケーブルの配線

- 1 I/O ケーブルおよび電源ケーブルをシステムの背面パネルの対応するコネクタに取り付けます。

詳細は、システムの『Installation and Troubleshooting Guide』および『ユーザーズガイド』を参照してください。

- 2 すべてのケーブルをケーブル処理アームに固定します。
  - a システムのフロントパネルを前面垂直レールに固定している蝶ネジを緩めます。
  - b システムを完全に引き出された位置まで前方にスライドします。
  - c ケーブルをケーブル処理アームに沿って配線し、ヒンジの動きを妨げないように多少余裕を持たせながら、ケーブル処理アームに付いているベルクロストラップでアームに固定します (図 4-14 参照)。
- 3 システムをラックから引き出しラックに押し戻して、ケーブルが正しく取り付けられているか、ケーブル処理アームの動きで絡まったり、引きつったり、締め付けられたりしないか確認します。

 **メモ** : アームが完全に伸びきる位置までシステムを引き出すと、スライドアセンブリはその位置でロックします。システムをラック内に戻すには、両側にある緑のスライドリリースラッチを押してロックを解除し、システムが完全にラックに入るまで押し込んでください。

- 4 手順 2a で緩めた蝶ネジを締め付けます。

## ラックの扉の取り付け

扉の取り付け手順は、ご使用の 24U および 42U ラックキャビネットに同梱されているマニュアルを参照してください。

これでラックへのシステムの取り付けは完了です。





# 索引

## R

RapidRails キットの付属品, 4-4

## V

VersaRails

キットの付属品, 4-5, 4-6

VersaRails キットの付属品

一覧, 4-5

## あ

安全にお使いいただくために,  
4-1

## き

キットの付属品

RapidRails, 4-4

VersaRails, 4-6

## け

ケーブルの配線, 4-19

## こ

工具と備品

4 柱型キット, 4-4

## し

システム

ラックへの取り付け, 4-15

システムの取り付け

4 柱型キット, 4-11

## と

扉

取り付け, 4-19

取り外し, 4-6

取り付け

ケーブル処理アーム, 4-18

システム, 4-15

タワーラック変換キット,  
4-11

ラック正面パネル, 4-14

ラックへのシステム, 4-16

## は

配線、ケーブル, 4-19

## ふ

付属品の一覧

RapidRails キット, 4-4

VersaRails キット, 4-5

## ら

ラック

印を付ける, 4-7

ラック安定板, 4-3

ラック取り付け時の注意事項,  
4-3

ラックに印を付ける, 4-7

ラックへの取り付け

システム, 4-11



Sistemas Dell™

# Guía de montaje del rack



# Notas, avisos y precauciones



**NOTA:** una NOTA indica información importante que le ayudará a usar mejor su ordenador.



**AVISO:** un AVISO indica un posible daño en el hardware o la pérdida de datos e informa de cómo evitar el problema.



**PRECAUCIÓN:** un mensaje de **PRECAUCIÓN** indica la posibilidad de que el equipo resulte averiado, de sufrir lesiones personales o incluso la muerte.

---

La información de este documento está sujeta a modificaciones sin previo aviso.

© 2002 Dell Computer Corporation. Reservados todos los derechos.

Queda prohibida su reproducción en cualquier medio sin la autorización por escrito de Dell Computer Corporation.

Marcas comerciales que aparecen en el texto: *Dell*, el logotipo de *DELL*, *RapidRails* y *VersaRails* son marcas comerciales de Dell Computer Corporation.

En este documento pueden utilizarse otras marcas y nombres comerciales para referirse a las entidades propietarias de dichas marcas y nombres, o a sus productos. Dell Computer Corporation renuncia a cualquier derecho sobre las marcas y nombres comerciales que no sean de su propiedad.

Abril de 2002 P/N 5J802 Rev. A00

# Contenido

<b>Instrucciones de seguridad</b> .....	<b>5-1</b>
<b>Instrucciones de instalación</b> .....	<b>5-2</b>
Antes de empezar .....	5-3
Información de seguridad importante .....	5-3
Pie estabilizador para el rack .....	5-3
Tareas de montaje .....	5-4
Herramientas y suministros recomendados .....	5-4
Contenido del kit de rack RapidRails .....	5-4
Contenido del kit de rack VersaRails .....	5-5
<b>Desmontaje de las puertas del rack</b> .....	<b>5-6</b>
<b>Marcado del rack</b> .....	<b>5-7</b>
<b>Montaje de los conjuntos deslizantes RapidRails</b> .....	<b>5-8</b>
<b>Montaje de los conjuntos deslizantes VersaRails</b> .....	<b>5-10</b>
<b>Montaje del kit de torre a rack</b> .....	<b>5-11</b>
Desmontaje del bisel, patas, tapa, panel lateral y panel frontal .....	5-12
Montaje del panel frontal del rack y el bisel .....	5-13
<b>Montaje del sistema en el rack</b> .....	<b>5-15</b>
<b>Montaje de la extensión para tendido de cables</b> .....	<b>5-17</b>
Montaje de la bandeja para cables .....	5-17
Fijación de la extensión para tendido de cables .....	5-17
<b>Tendido de cables</b> .....	<b>5-18</b>
<b>Colocación de las puertas del rack</b> .....	<b>5-18</b>

# Índice

## Figuras

Figura 5-1.	Contenido del kit de rack RapidRails . . . . .	5-5
Figura 5-2.	Contenido del kit de rack VersaRails . . . . .	5-6
Figura 5-3.	Una unidad de rack . . . . .	5-7
Figura 5-4.	Marcado de las guías verticales . . . . .	5-8
Figura 5-5.	Montaje de los conjuntos deslizantes RapidRails . . . . .	5-9
Figura 5-6.	Montaje de los conjuntos de guía VersaRails. . . . .	5-10
Figura 5-7.	Sistemas de la versión de rack y de torre . . . . .	5-11
Figura 5-8.	Extracción del bisel frontal . . . . .	5-12
Figura 5-9.	Extracción de las patas y la tapa del sistema . . . . .	5-13
Figura 5-10.	Montaje del panel frontal del rack . . . . .	5-14
Figura 5-11.	Montaje de los tornillos de pivote y las arandelas. . . . .	5-14
Figura 5-12.	Montaje del bisel del rack . . . . .	5-15
Figura 5-13.	Montaje del sistema en el rack. . . . .	5-16
Figura 5-14.	Montaje de la extensión para tendido de cables. . . . .	5-17


# Instrucciones de seguridad


Siga estas directrices de seguridad, con el fin de garantizar su propia seguridad y la del servidor, sistema de almacenamiento o equipo frente a daños potenciales. Para obtener información completa acerca de la seguridad y las normas, consulte el documento *Información del sistema*. Es posible que en este documento o en uno separado se incluya información sobre la garantía.


## Precauciones para los productos montados en rack

Tenga en cuenta estas precauciones para garantizar la estabilidad y seguridad del rack. Consulte también la documentación de montaje en rack que se suministra con el sistema y el rack para conocer las indicaciones y los procedimientos específicos de advertencia y precaución.


Los servidores, sistemas de almacenamiento y equipos se consideran componentes del rack. Por lo tanto, “componente” se refiere a cualquier servidor, sistema de almacenamiento o equipo, así como a los distintos periféricos o al hardware de soporte.

 **PRECAUCIÓN:** la instalación de componentes de sistemas en un rack sin los estabilizadores delanteros o laterales montados puede hacer que vuelque el rack, hecho que puede llegar a producir lesiones personales en ciertas circunstancias. Por tanto, monte siempre los estabilizadores antes de montar los componentes en el rack.

 **PRECAUCIÓN:** después de montar los sistemas o componentes en un rack, nunca extraiga más de un componente sobre sus conjuntos deslizantes de forma simultánea. El peso de más de un componente extendido puede hacer que vuelque el rack y lesionar a alguien.

 **NOTA:** el sistema está homologado en cuanto a seguridad como unidad autónoma y como componente para su uso en un armario rack utilizando el kit de rack de clientes en los casos en los que tanto el armario rack como el kit de rack se hayan diseñado para su sistema. El montaje del sistema y kit de rack en otros armarios rack ha sido aprobado por ninguna agencia de seguridad. Es responsabilidad del cliente la evaluación, por parte de una agencia de seguridad certificada, de la combinación de sistema y kit para rack montados en un armario. El fabricante declina toda responsabilidad y garantías relacionadas con tales combinaciones.

- Los kits para rack están concebidos por parte de técnicos de servicio con experiencia para su montaje en un rack aprobado. Si monta el kit en cualquier otro rack, éste debe cumplir las especificaciones.

 **PRECAUCIÓN:** no mueva racks de gran tamaño sin ayuda. Debido a la altura y el peso del rack, se recomienda un mínimo de dos personas para realizar dicha tarea.

- Antes de trabajar en el rack, los estabilizadores deben estar fijados en el rack, deben llegar al suelo y todo el peso del rack debe descansar sobre el suelo. Asimismo, antes de trabajar en el rack, monte los estabilizadores delanteros y laterales en un único rack, o los estabilizadores delanteros para varios racks unidos.
- Cargue siempre el rack desde la parte inferior hacia arriba, colocando en primer lugar el elemento más pesado.
- El rack debe estar nivelado y estabilizado antes de extraer un componente.
- Tenga cuidado al presionar los pestillos de liberación de las guías de componentes y al extraer o volver a introducir un componente en el rack, puesto que puede pillarse los dedos con las guías deslizantes.
- Una vez insertado un componente en el rack, extienda con cuidado la guía hasta su posición de bloqueo y deslice el componente hacia el interior del rack.
- No sobrecargue el ramal del circuito de alimentación que suministra energía al rack. La carga total del rack no debe ser superior al 80 por ciento del valor nominal del ramal del circuito.
- Los componentes del rack deben disponer de suficiente circulación de aire.
- No se suba ni se apoye en ningún sistema o componente al reparar otros sistemas o componentes del rack.

## Instrucciones de instalación

Esta guía de montaje proporciona instrucciones para técnicos de servicio formados que instalen uno o más sistemas en un rack open-frame relay o en un armario rack. El kit de rack Dell™ RapidRails™ se puede montar en todos los armarios racks del fabricante sin herramientas y el kit de rack VersaRails™ se puede instalar en la mayoría de los armarios rack estándar del sector. Los procedimientos para montar los kits de rack RapidRails y VersaRails son similares. Para cada sistema montado en el rack se precisa un kit de rack.




**PRECAUCIÓN:** no instale componentes del kit de rack que se hayan diseñado para otro sistema. Utilice únicamente el kit de rack para su sistema Dell. Si utiliza un kit de rack para otro sistema, pueden causarse daños en el sistema y lesiones personales.



**NOTA:** si el sistema Dell es una versión en torre, debe montar un kit de torre a rack. En este documento se incluyen instrucciones para montar este kit.


El kit de rack RapidRails se puede montar en cualquier armario rack Dell y en la mayoría de los armarios rack estándar del sector.




 **AVISO:** el kit de rack VersaRails lo deben montar únicamente técnicos de servicio formados en un rack que cumpla con las especificaciones siguientes: American National Standards Institute (ANSI)/Electronic Industries Association (EIA) ANSI/EIA-310-D-92, International Electrotechnical Commission (IEC) 297 y Deutsche Industrie Norm (DIN) 41494. Se precisa un kit de rack para cada sistema que se monte en el rack.

## Antes de empezar


Antes de montar el sistema en el rack, lea detenidamente las “Instrucciones de seguridad” en una sección anterior de este documento, así como las instrucciones de seguridad incluidas en el documento *Información del sistema* para obtener información adicional.

 **PRECAUCIÓN:** cuando monte varios sistemas en un rack, realice todos los procedimientos del sistema que esté instalando antes de montar el siguiente.


 **PRECAUCIÓN:** los armarios rack pueden ser muy pesados y moverse fácilmente con las ruedas. El armario no tiene frenos. Preste extremo cuidado al mover el armario rack. Recoja las patas niveladoras al volver a colocar el armario rack. Evite inclinaciones largas o pronunciadas para evitar pérdidas de control del armario. Extienda las patas niveladoras de apoyo para evitar que el armario se desplace.


## Información de seguridad importante

Cuando monte el sistema en el rack, tome las precauciones de seguridad que se indican en los siguientes apartados.

 **PRECAUCIÓN:** debe seguir estrictamente los procedimientos que se explican en esta guía para protegerse a sí mismo y a otras personas que se puedan ver involucradas. El sistema puede tener una envergadura y un peso considerables por lo que son importantes una preparación y planificación adecuadas para evitar lesiones personales a uno mismo y a otros. Esto es más importante aún cuando se montan sistemas en la parte alta del rack.

## Pie estabilizador para el rack

 **PRECAUCIÓN:** la instalación de sistemas en un rack sin los estabilizadores delanteros o laterales montados puede hacer que vuelque el rack, hecho que puede llegar a producir lesiones personales en ciertas circunstancias. Por tanto, monte siempre los estabilizadores antes de montar los componentes en el rack.

 **PRECAUCIÓN:** tras instalar sistemas en un rack, nunca extraiga más de un sistema del rack sobre su conjunto deslizante a la vez. El peso de más de un sistema extendido puede hacer que vuelque el rack y causar algún daño.

El pie estabilizador evita que vuelque el rack cuando se extrae más de un sistema u otro componente con el conjunto deslizante totalmente extendido. Consulte la documentación que se facilita con el armario rack para obtener instrucciones sobre el montaje y la fijación del pie estabilizador.

## Tareas de montaje

La instalación de un kit de rack implica realizar las siguientes tareas en el orden indicado:

- 1 Desmontaje de las puertas del rack
- 2 Marcado del rack
- 3 Montaje de los conjuntos de guías en el rack:
  - Montaje de RapidRails
  - Montaje de VersaRails
- 4 Montaje del sistema en el rack
- 5 Montaje de la extensión para tendido de cables
- 6 Tendido de cables
- 7 Colocación de las puertas del rack

## Herramientas y suministros recomendados

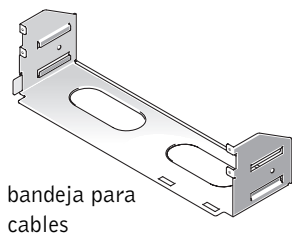
- Destornillador Phillips del n° 2
- Un destornillador Torx T-10 (para montaje del kit de torre a rack)
- Cinta de enmascaramiento o rotulador de punta de fieltro, para marcar los orificios de montaje necesarios
- Una regla o cinta de medición

## Contenido del kit de rack RapidRails

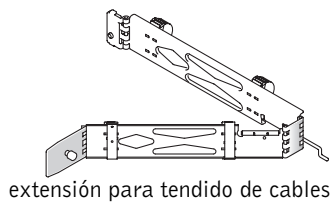
El kit para rack RapidRails incluye los siguientes elementos (consulte la Figura 5-1):

- Un par de conjuntos deslizantes RapidRails
- Una extensión para tendido de cables
- Una bandeja para cables
- Cuatro tornillos Phillips de cabeza hexagonal de 6-32 x 0,25 pulgadas

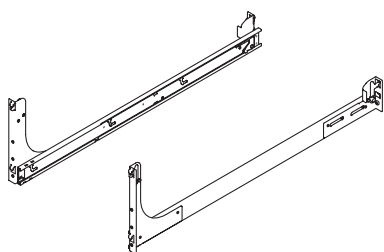
**Figura 5-1. Contenido del kit de rack RapidRails**



bandeja para cables



extensión para tendido de cables



conjuntos deslizantes RapidRails



tornillos Phillips de cabeza hexagonal de 6-32 x 0,25 pulgadas (4)

## Contenido del kit de rack VersaRails

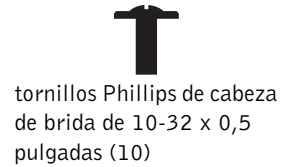
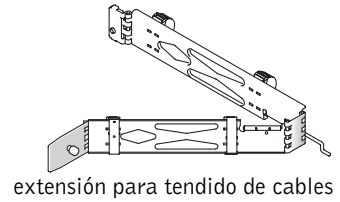
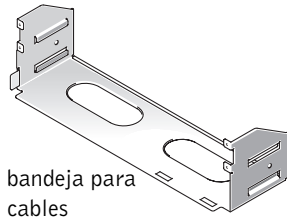
El kit de rack VersaRails incluye los siguientes elementos (consulte la Figura 5-2):

- Un par de conjuntos deslizantes VersaRails
- Una extensión para tendido de cables
- Una bandeja para cables
- Diez tornillos Phillips de cabeza de brida de 10-32 x 0,5 pulgadas
- Cuatro tornillos Phillips de cabeza hexagonal de 6-32 x 0,25 pulgadas





**NOTA:** los tornillos no métricos que se describen en las ilustraciones y en los pasos de los procedimientos se identifican por el tamaño y el número de roscas por pulgada. Por ejemplo, un tornillo Phillips del nº 10 con 32 roscas por pulgada se identifica como un tornillo 10-32.

**Figura 5-2. Contenido del kit de rack VersaRails**



## Desmontaje de las puertas del rack

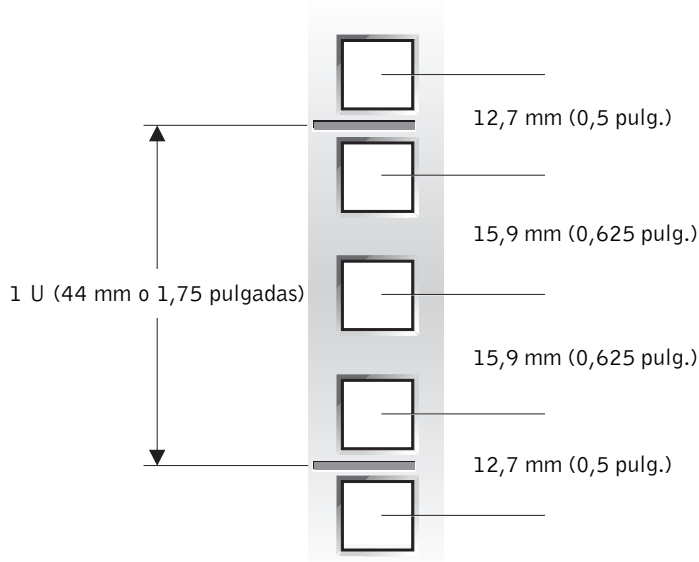
Para retirar las puertas, consulte los procedimientos en la documentación suministrada con el armario rack.

-  **PRECAUCIÓN:** debido al tamaño y al peso de las puertas del armario rack, nunca debe intentar una sola persona montarlas ni desmontarlas.
-  **PRECAUCIÓN:** guarde las dos puertas donde no puedan lesionar a nadie si caen accidentalmente.

# Marcado del rack

Debe dejar 5 U (8,75 pulgadas) de espacio vertical para cada sistema que monte en el rack (consulte la Figura 5-3).

**Figura 5-3. Una unidad de rack**



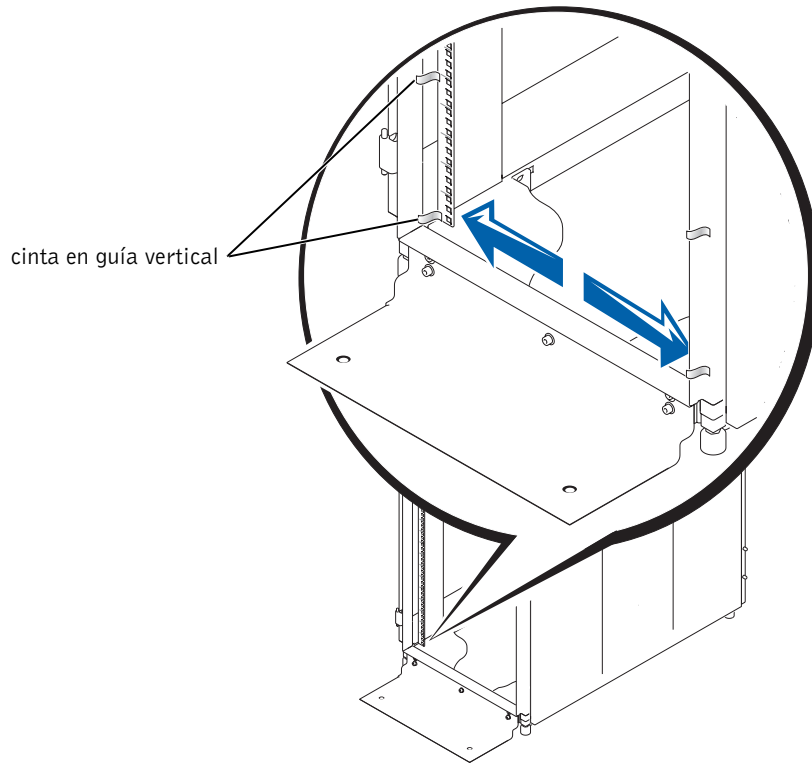
**⚠ PRECAUCIÓN:** si va a montar más de un sistema, monte los conjuntos deslizantes de modo que el primer sistema se monte en la posición más baja disponible en el rack.

Para marcar el rack, realice los pasos siguientes:

- 1 Coloque una marca en las guías verticales frontales en las que desee colocar la parte inferior del sistema que está instalando en el armario rack.

La parte inferior de cada espacio 1 U se encuentra en medio del espacio metálico más estrecho entre orificios (marcados con una línea horizontal en algunos armarios rack, consulte la Figura 5-4).

Coloque una marca aproximadamente a 8,75 pulg. por encima de la marca original (o cuente hasta 15 orificios en un bastidor que cumpla los estándares EIA-310) y marque las guías verticales frontales del rack con un rotulador de punta de fieltro o con un trozo de cinta de enmascaramiento (si ha contado orificios, coloque una marca encima del orificio superior). Esta marca o trozo de cinta indica dónde se va a situar el borde superior del sistema en las guías verticales (consulte la Figura 5-4).

**Figura 5-4. Marcado de las guías verticales**

## Montaje de los conjuntos deslizantes RapidRails

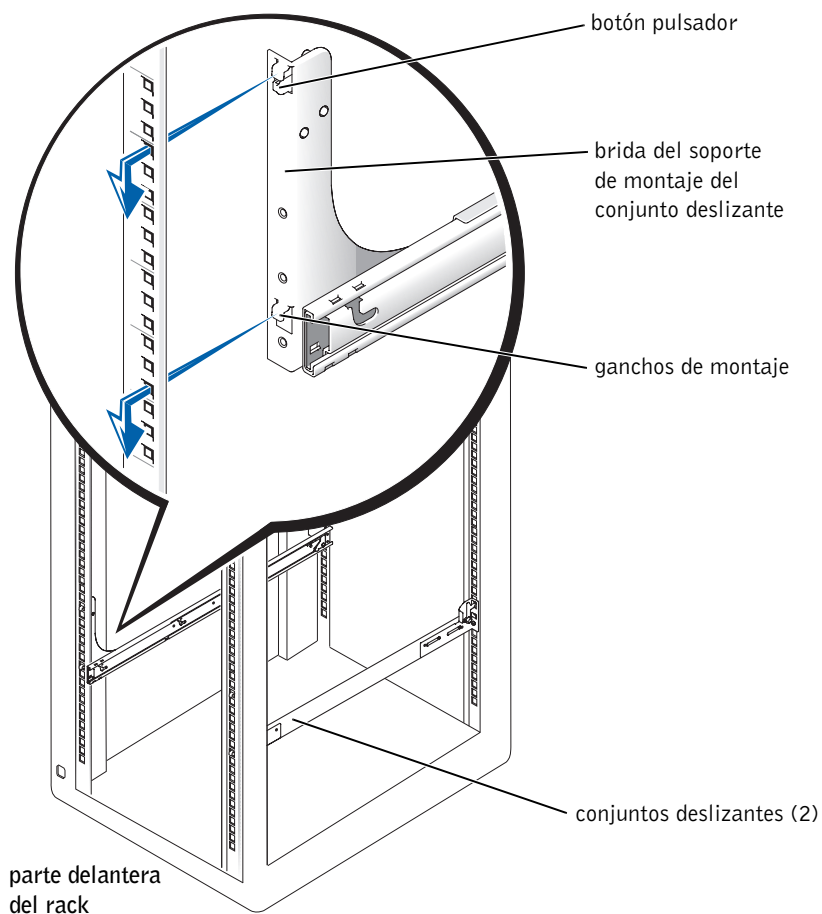
- 1 En la parte frontal del armario rack, coloque uno de los conjuntos deslizantes RapidRails de forma que la brida del soporte de montaje se ajuste perfectamente entre las marcas o la cinta colocada en el rack (consulte la Figura 5-5).

El enganche de montaje superior de la brida del soporte de montaje frontal del conjunto de la guía debe entrar en el orificio superior entre las marcas realizadas en las guías verticales.

- 2 Empuje el conjunto deslizante hacia adelante hasta que el enganche de montaje superior entre en el orificio cuadrado situado justo debajo de las marcas superiores o de la cinta colocada en la guía vertical. A continuación, presione hacia abajo la brida del soporte de montaje hasta que los enganches de montajes se coloquen en los orificios cuadrados y el pulsador salga y emita un clic (consulte la Figura 5-5).

- 3 En la parte posterior del armario, tire hacia atrás de la brida de soporte de montaje hasta que los ganchos de montaje superiores queden colocados en su orificio cuadrado superior y, a continuación, empuje hacia abajo sobre la brida hasta que los ganchos de montaje se introduzcan en los orificios cuadrados y el botón pulsador salga y emita un clic.
- 4 Repita los pasos 1 a 3 para el conjunto deslizante del otro lateral del rack.
- 5 Asegúrese de que las guías están montadas en la misma posición vertical en ambos lados del rack.

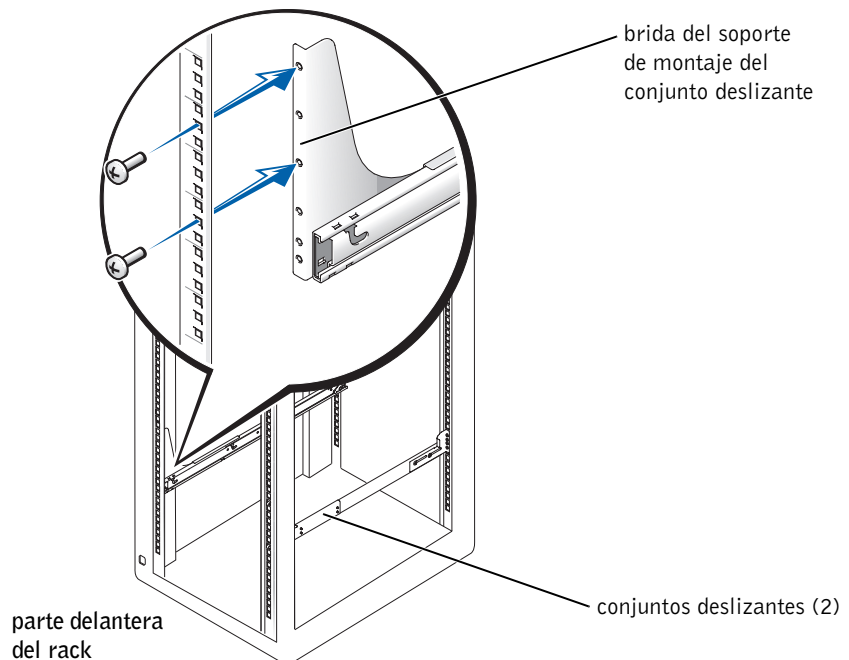
**Figura 5-5. Montaje de los conjuntos deslizantes RapidRails**



## Montaje de los conjuntos deslizantes VersaRails


- 1 En la parte frontal del armario rack, coloque un conjunto deslizante VersaRails de forma que la brida del soporte de montaje se ajuste perfectamente entre las marcas o la cinta colocada (o la ubicación numerada) en el rack (consulte la Figura 5-6).
- Los cuatro orificios de la parte frontal del soporte de montaje deben alinearse con los cuatro orificios entre las marcas realizadas en la guía vertical frontal.
- 2 Monte los dos tornillos Phillips de cabeza de brida de 10-32 x 0,5 pulgadas en el tercer orificio a partir de la parte superior (consulte la Figura 5-6).
  - 3 En la parte posterior del armario, tire hacia atrás de la brida del soporte de montaje hasta que los orificios de montaje queden alineados con los orificios correspondientes de la guía vertical posterior.
  - 4 Monte los dos tornillos Phillips de cabeza de brida de 10-32 x 0,5 en el tercer orificio a partir de la parte superior y de la brida superior de montaje posterior para fijar el conjunto deslizante a la guía vertical posterior.
  - 5 Repita los pasos 1 a 4 para el conjunto deslizante del otro lateral del rack.
  - 6 Asegúrese de que los conjuntos deslizantes están montados en la misma posición en las guías verticales en cada lado del rack.


**Figura 5-6. Montaje de los conjuntos de guía VersaRails**






# Montaje del kit de torre a rack

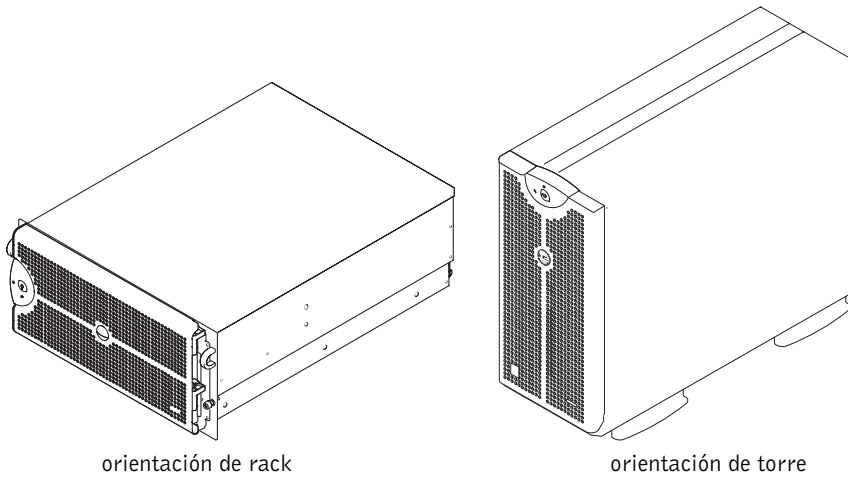
 **NOTA:** si ha solicitado el kit de conversión de torre a rack, monte el kit ahora.

 **NOTA:** si tiene una versión del sistema sólo en rack, ignore este procedimiento y pase directamente a "Montaje del sistema en el rack".

 **PRECAUCIÓN:** el sistema puede llegar a pesar hasta 43 kilos (95 libras) cuando está completamente cargado. Con el fin de evitar lesiones personales, no intente mover el sistema sin ayuda.

La versión de rack y de torre se muestran en la Figura 5-7.

**Figura 5-7. Sistemas de la versión de rack y de torre**



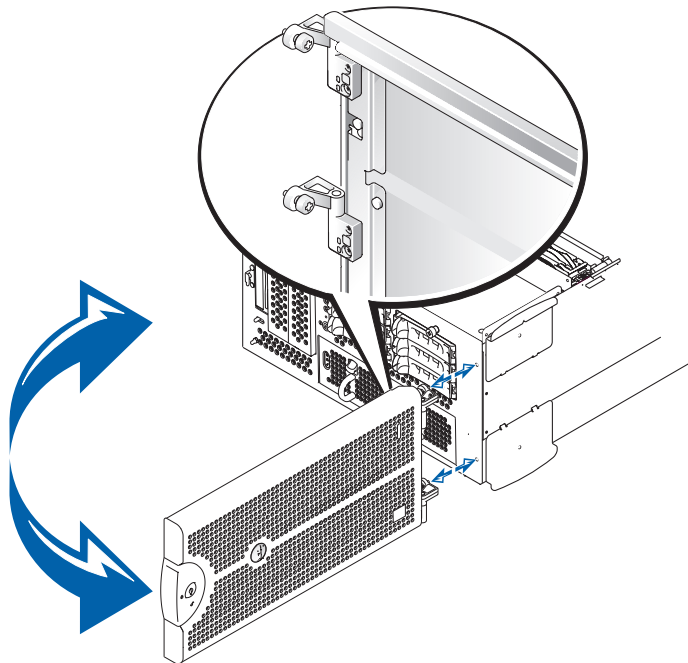
El kit de torre a rack incluye los siguientes elementos:

- Un panel frontal de rack con asas de rack y tornillos de mano
- Un bisel de rack, se completa con cerradura, llaves y tornillería de montaje
- Seis tornillos de pivote 10-32
- Seis arandelas planas del nº 10

## Desmontaje del bisel, patas, tapa, panel lateral y panel frontal

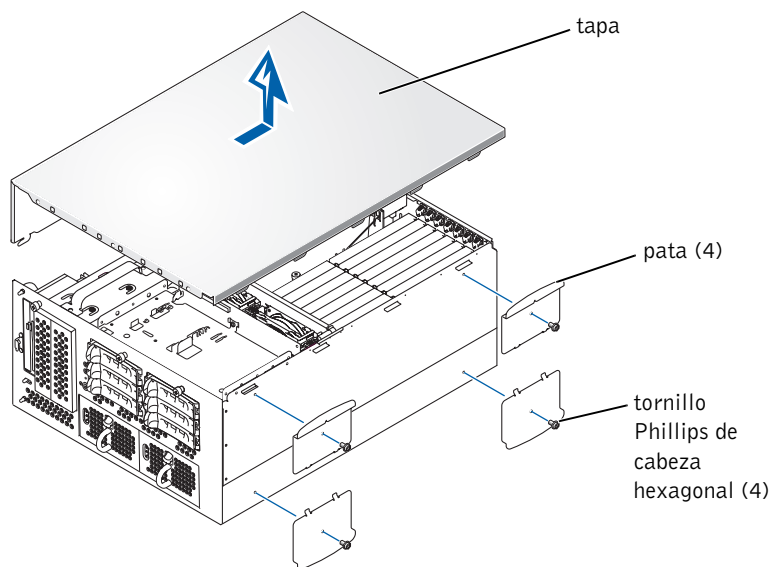
- 1 Para retirar el bisel con el sistema apoyado en su lado izquierdo, realice los pasos siguientes:
  - a Con la llave del sistema, desbloquee el bisel frontal.
  - b Gire el bisel del sistema hacia fuera hasta que esté perpendicular al sistema.
  - c Con un destornillador Phillips del n° 2, afloje los tornillos de mano para liberar el bisel y colóquelo a un lado (consulte la Figura 5-8).

**Figura 5-8. Extracción del bisel frontal**



- 2 Retire las cuatros patas metálicas del sistema:
  - a Con un destornillador Phillips del n° 2 o una llave de tuerca de 1/4 pulgadas, retire el tornillo que sujeta cada pata metálica.
  - b Saque las patas del chasis (consulte la Figura 5-9).
- 3 Retire la tapa del sistema y colóquela a un lado (consulte la Figura 5-9):
  - a Afloje los tres tornillos de mano de la parte frontal del sistema.

**Figura 5-9. Extracción de las patas y la tapa del sistema**

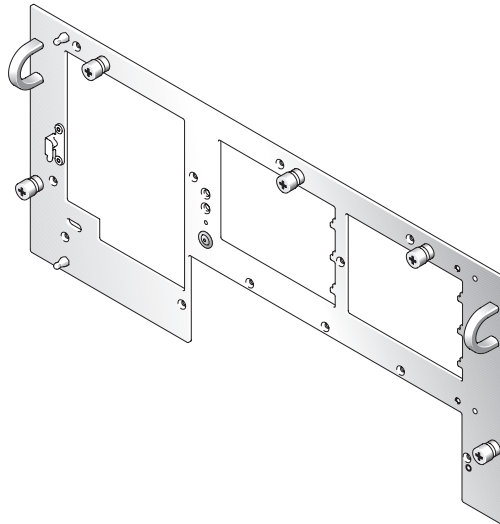


- b** Deslice la tapa del sistema hacia atrás y sujétela por ambos extremos.
  - c** Levante con cuidado la tapa del sistema y apártela a un lado.
- 4** Retire los paneles decorativos del lado izquierdo del chasis:
- a** Retire los siete tornillos T-10 Torx de los bordes superior, izquierdo e inferior del panel frontal.  
Estos siete tornillos sujetan el panel decorativo al panel frontal y al chasis.
  - b** Deslice el panel decorativo unos 0,5 pulgadas hacia la parte posterior del chasis y retírelo levantándolo.
- 5** Retire los 12 tornillos Torx T-10 que sujetan el panel frontal de torre al chasis.
- 6** Retire el panel frontal levantándolo y déjelo aparte.

### **Montaje del panel frontal del rack y el bisel**

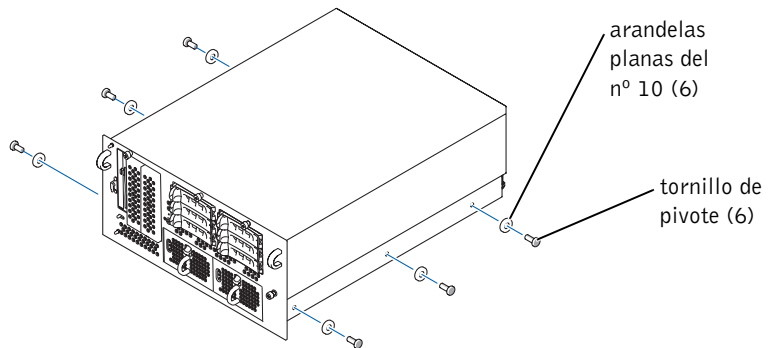
- 1** Monte en el chasis el panel frontal del rack, fijándolo con los 13 tornillos Torx retirados en el procedimiento anterior (consulte la Figura 5-10).
- Observe que el panel frontal del rack es más ancho que el panel frontal de la torre y tiene asas y tornillos de mano para las guías verticales frontales.

**Figura 5-10. Montaje del panel frontal del rack**



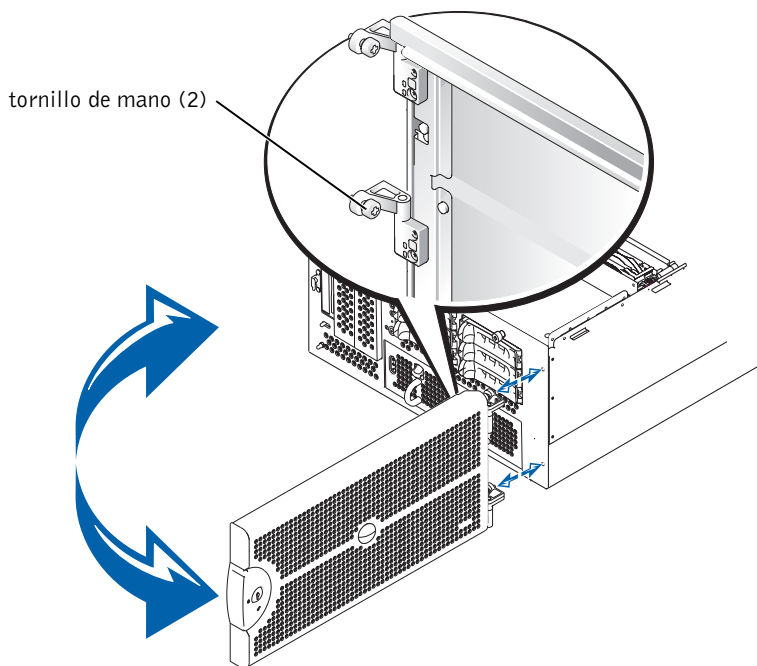
- 2** Monte los tres tornillos de pivote 10-32 y las tres arandelas planas del n° 10 de cada lado del chasis (consulte la Figura 5-11).

**Figura 5-11. Montaje de los tornillos de pivote y las arandelas**



- 3** Monte el nuevo bisel del rack:
  - a** Coloque el bisel de forma que sus tornillos de mano del soporte de montaje con bisagras estén alineados con los orificios del panel frontal del sistema (consulte la Figura 5-12).
  - b** Fije con un destornillador Phillips los tornillos de mano al panel frontal.

**Figura 5-12. Montaje del bisel del rack**



- 4 Vuelva a montar las unidades de disco duro en sus ranuras del compartimento de unidades, si se retiraron para aligerar el chasis (consulte la *Guía de instalación y resolución de problemas* para obtener instrucciones).
- 5 Monte las fuentes de alimentación y la bandeja del microprocesador si los retiró para aligerar el chasis.
- 6 Cierre el bisel.
- 7 Vuelva a colocar la cubierta del sistema.

## Montaje del sistema en el rack

**⚠ PRECAUCIÓN:** si va a montar más de un sistema, monte el primero en la posición más baja que haya disponible en el rack.

**⚠ PRECAUCIÓN:** nunca extraiga más de un componente del rack a la vez.

- 1 Tire de los dos conjuntos deslizantes interiores hacia fuera del rack hasta que queden totalmente bloqueados.

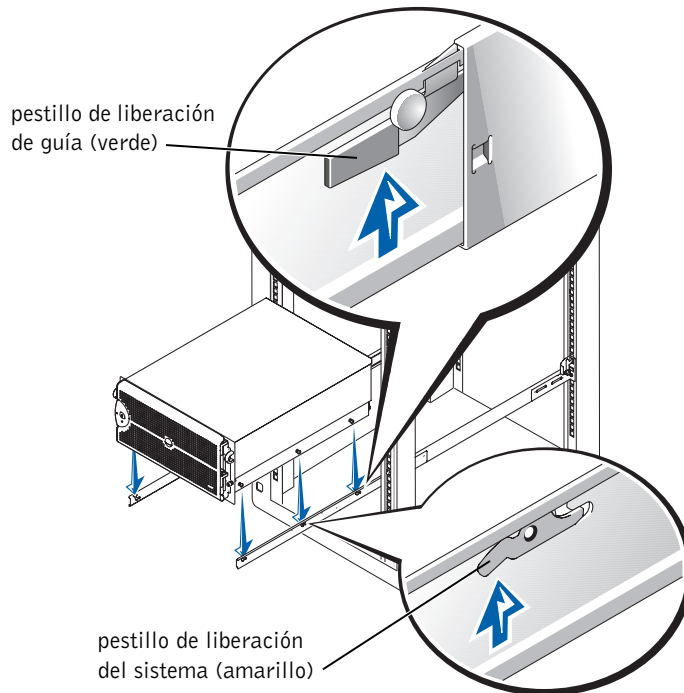
**⚠ PRECAUCIÓN:** debido al tamaño y el peso del sistema, no intente nunca montar el sistema en los conjuntos deslizantes sin ayuda.

**2** Eleve el sistema hasta su posición.

Con un mínimo de dos personas, cada persona debe colocar una mano en la parte inferior frontal del sistema y la otra en la parte inferior posterior.

**3** Incline la parte frontal del sistema hacia arriba mientras alinea los tornillos de pivote posteriores en los lados del sistema con las ranuras posteriores en los conjuntos deslizantes (consulte la Figura 5-13).

**Figura 5-13. Montaje del sistema en el rack**



**4** Coloque los tornillo de pivote posteriores en la ranura situada justo detrás del pestillo de liberación deslizante verde, seguido por los tornillos de pivote central y frontal.

**5** Inserte el sistema en los conjuntos deslizantes hasta que el pestillo amarillo de liberación del sistema emita un clic al colocarse en su sitio, bloqueando el deslizante en el tornillo de pivote central del sistema (consulte la Figura 5-13).

**6** Tire de los pestillos de liberación verdes e inserte el sistema en el rack.

**7** Apriete los tornillos de mano del panel frontal del rack.

# Montaje de la extensión para tendido de cables

Este procedimiento se realiza en dos fases. Primero, monte la bandeja de cables en la parte posterior del chasis del sistema. A continuación, monte la extensión para tendido de cables en cada lado de la bandeja de cables.

## Montaje de la bandeja para cables

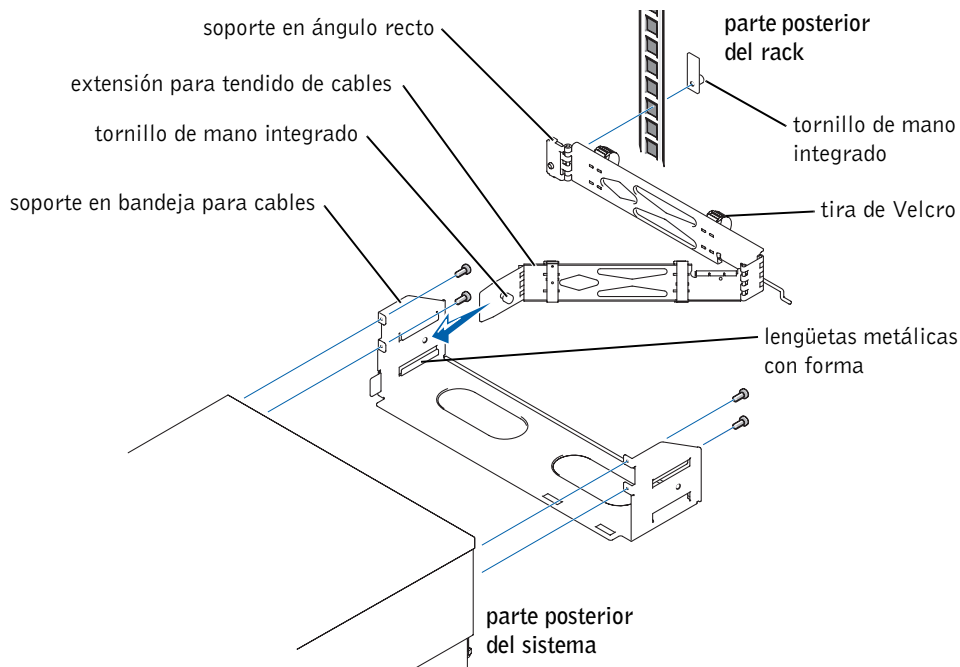
Acople la bandeja para cables en el chasis del sistema utilizando cuatro tornillos Phillips de cabeza hexagonal de 6-32 x 0,25 pulgadas (consulte la Figura 5-14).

**⚠ PRECAUCIÓN:** la bandeja para cables soporta el peso del sistema. No agarre la bandeja para cables al levantar el sistema. Levante el sistema solo por los bordes del chasis.

## Fijación de la extensión para tendido de cables

- 1 Mirando hacia la parte trasera del armario rack, acople el soporte en ángulo recto de la extensión para tendido de cables a la guía trasera vertical del armario y fíjela con los tornillos de mano integrados (consulte la Figura 5-14). El soporte se introduce en los orificios de montaje cuadrados de la guía vertical.

**Figura 5-14. Montaje de la extensión para tendido de cables**




- 2 Deslice el extremo no acoplado de la extensión para tendido de cables en el bolsillo ranurado formado de lengüetas metálicas en el lateral de la bandeja para cables.
- 3 Fije la extensión para tendido de cables en su bolsillo ranurado con el tornillo de mano integrado.

## Tendido de cables

- 1 Acople los cables de E/S y de alimentación a sus conectores de la parte posterior del sistema.

Para obtener más detalles, remítase a la *Guía de instalación y resolución de problemas* y a la *Guía del usuario* de su sistema.

- 2 Fije todos los cables en la extensión para tendido de cables:
  - a Afloje los tornillos de mano que fijan el panel frontal del sistema a la guía vertical frontal.
  - b Deslice el sistema hacia adelante hasta que esté completamente extraído.
  - c Tienda los cables a lo largo de la extensión para tendido de cables, dejando holgura en las posiciones de las bisagras, y sujete los cables a la extensión para tendido de cables mediante las tiras de Velcro que lleva fijadas (consulte la Figura 5-14).
- 3 Deslice el sistema dentro y fuera del rack para comprobar que los cables están correctamente tendidos y no quedan doblados, estirados o pinzados con el movimiento de la extensión para tendido de cables.

 **NOTA:** al extraer el sistema hasta su posición totalmente extendida, los conjuntos deslizantes quedarán bloqueados. Para devolver el sistema al rack, presione el pestillo de liberación verde en el lateral del conjunto deslizante para liberar los cierres y deslice completamente el sistema en el rack.

- 4 Apriete los tornillos de mano aflojados en el paso 2a.

## Colocación de las puertas del rack

Consulte los procedimientos para volver a colocar las puertas en la documentación que se facilita con los armarios rack 24 U y 42 U.

La conversión de montaje en rack de su sistema ya está terminada.



# Índice

## C

- cable, tendido, 5-18
- Contenido del kit VersaRails
  - lista de, 5-5
- contenido enumerado
  - kit RapidRails, 5-4
  - kit VersaRails, 5-5

## H

- herramientas y suministros
  - kit de cuatro montantes, 5-4

## I

- instrucciones de seguridad, 5-1

## K

- kit, contenido
  - RapidRails, 5-4
  - VersaRails, 5-6

## M

- marcado del rack, 5-7
- montaje del sistema
  - rack de cuatro montantes, 5-11
- montaje en rack
  - sistema, 5-11
- montar
  - extensión para tendido de cables, 5-17
  - kit de torre a rack, 5-11
  - panel frontal del rack, 5-13
  - sistema, 5-14
  - sistema en rack, 5-15

## P

- pie estabilizador para el rack, 5-3
- precauciones para el montaje en rack, 5-3
- puertas
  - colocar, 5-18
  - desmontar, 5-6

## R

- rack
  - marcar, 5-7
- RapidRails, contenido del kit, 5-4

## S

- sistema
  - montaje en rack, 5-14

## T

- tendido de cables, 5-18

## V

- VersaRails
  - kit, contenido, 5-5, 5-6

